

OP 100  
OFİS BÖLME SİSTEMİ  
(Office Partition System)

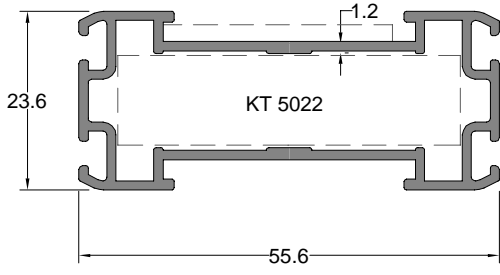
TAM ÖLÇEKLİ ALÜMİNYUM PROFİLLER  
(Full Scale Aluminum Profiles)

PROF L KES T PROFILE SECTION	PROF L KODU PROFILE CODE	PROF L ADI PROFILE NAME	Jx cm <sup>4</sup>	Jy cm <sup>4</sup>	A IRLIK (kg/m) WEIGHT
	7121	DÜ EY YATAY PROF L MULLION PROFILE	-	-	0,666 kg/mt
	7138	YAPI TIRMA KASET PROF L GLUING CASSETTE PROFILE	-	-	0,500 kg/mt
	7122	TIRNAKLI KASET PROF L CASSETTE PROFILE	-	-	0,542 kg/mt
	7123	K L TLEME PROF L LOCKING PROFILE	-	-	0,267 kg/mt
	7124	KAPAK PROF L COVER PROFILE	-	-	0,108 kg/mt
	7125	AH AP PANEL BA LANTI PROF L WOOD PANEL CONNECTION PROFILE	-	-	0,202 kg/mt
	7126	KAPI KASA PROF L DOOR FRAME PROFILE	-	-	1,137 kg/mt
	1931	KAPI KANAT PROF L DOOR SASH PROFILE	-	-	0,688 kg/mt
	8557	CAM-PANEL SASH PROF L GLASS-PANEL SASH PROFILE	-	-	0,623 kg/mt
	8585	KAPI KANAT PROF L DOOR SASH PROFILE	-	-	0,202 kg/mt
	5992	CAM-PANEL KAPAK PROF L GLASS-PANEL CAP PROFILE	-	-	0,080 kg/mt
	7127	YAN B T PROF L SIDE FINISH PROFILE	-	-	0,780 kg/mt
	7128	E K PROF L THRESHOLD PROFILE	-	-	1,006 kg/mt
	7129	ARA PROF L PROFILE	-	-	0,467 kg/mt
	7130	ALT ARA PROF L BOTTOM PROFILE	-	-	0,455 kg/mt
	7131	ÜST B T PROF L TOP FINISH PROFILE	-	-	0,599 kg/mt
	7132	DUVAR B T PROF L WALL FINISH PROFILE	-	-	0,888 kg/mt
	7133	DUVAR B T PROF L WALL FINISH PROFILE	-	-	1,142 kg/mt
	7134	DÖNÜ PROF L RETURN PROFILE	-	-	0,528 kg/mt
	7135	90° DÖNÜ PROF L 90° OVAL CORNER PROFILE	-	-	1,065 kg/mt
	7136	90° KÖ EL DÖNÜ PROF L 90° ANGULAR CORNER PROFILE	-	-	1,034 kg/mt

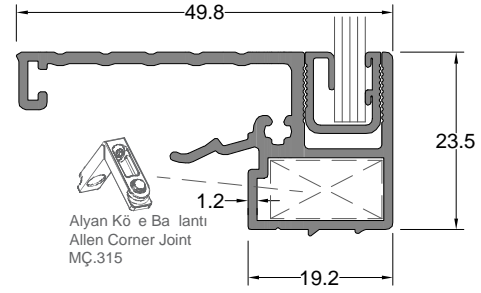


AKSESUAR ACCESSORY	STOK KODU REFERENCE CODE	AKSESUAR ADI DESCRIPTION	AKSESUAR KODU PRODUCT CODE	PAKET PACK
	03 015550	DERZ F T L BACKING ROAD GASKET	OP100-DF.06	215 mt / paket 10 kg
	03 015551	KULAK YASTIK F T L	OP100-KYF.04	280 mt / paket 10 kg
	03 010436	KASA F T L FRAME GASKET	OP100-KBF.36	350 mt / paket 10 kg
	01 400120	4 mm'lik CAM F T L	OP100-NPP.375	6 mt / 1 boy
	01 400100	6 mm'lik CAM F T L	OP100-NPP.368	6 mt / 1 boy
	11 030253	THAL ÇERÇEVES Z CAM KAPI MENTE E GLASS DOOR PLATELESS HINGE	OP100-CKM.253	1 pk / 2 ad
	01 400163	KELEBEK MENTE E (ÇEL K) BUTTERFLY HINGE (STEEL)	OP100-KM.163	1 pk / 32 ad
	01 400180	HOPPE ÇERÇEVES Z KOL (NATUREL) HOPPE PLATELESS DOOR HUNDLE (NATURAL)	OP100-HK.180	1 pk / 1 ad
	01 400170	HOPPE ÇERÇEVEL KOL (NATUREL) HOPPE WITH PLATELESS HUNDLE (NATURAL)	OP100-HK.170	1 pk / 1 ad
	01 130303	KANAT KÖ E BA LANTI SASH CORNER CONNECTION	OP100-MÇ.303	1 pk / 250 ad
	01 130315	KASA KÖ E BA LANTI FRAME CORNER CONNECTION	OP100-MÇ.315	1 pk / 250 ad
	04 010101	PVC KÖ E BA LANTI TAKOZU PVC CORNER CONNECTION WEDGE	OP100-0186/500	1 pk / 100 ad
	75 400150	K L TLEME KL PS LOCKING CLIPS	OP100-KT.7123	1 pk / 100 ad
	75 400152	AH AP PANEL BA LANTI KL PS WOOD PANEL CONNECTION CLIPS	OP100-KT.7125	1 pk / 100 ad
	11 010217	4.8x16 mm YSB MUV. V DA 4.8x16 mm SELF DRILLING SCREW	OP100-SC.217	1 pk / 1000 ad
	11 010947	5.5x22 mm YSB MUV. V DA 5.5x22 mm SELF DRILLING SCREW	OP100-SC.947	1 pk / 1000 ad

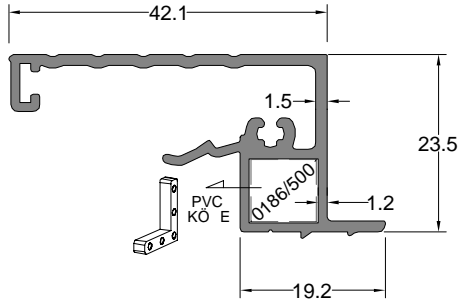




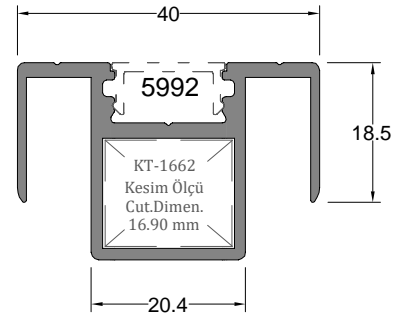
Dü ey Yatay Profili	Profil Kodu	(kg/mt)
MULLION PROFILE	Profile Code	Weight
	7121	0,666



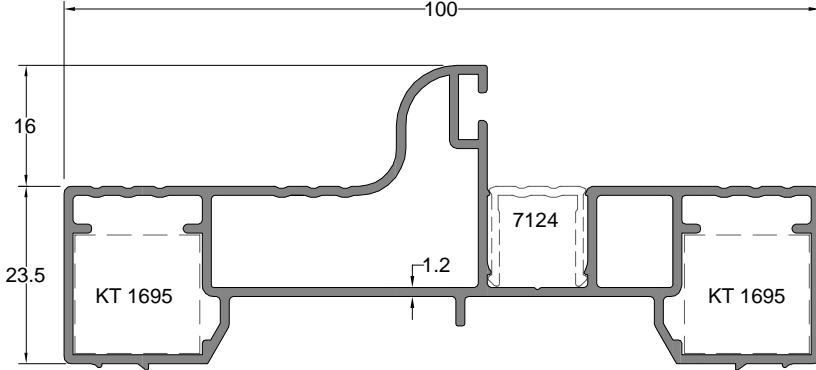
Tırmıklı Kaset Profili	Profil Kodu	(kg/mt)
CASSETTE PROFILE	Profile Code	Weight
	7122	0,542



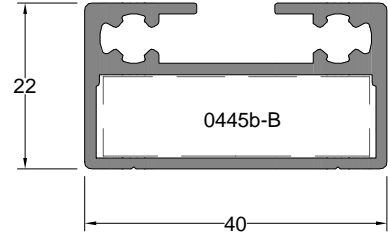
Yapı tırma Kaset Profili	Profil Kodu	(kg/mt)
GLUING CASSETTE PROFILE	Profile Code	Weight
	7138	0,500



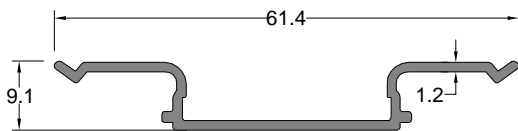
Cam - Panel Kanat Profili	Profil Kodu	(kg/mt)
GLASS - PANEL SASH PROFILE	Profile Code	Weight
	8557	0,623



Kapı Kasa Profili	Profil Kodu	(kg/mt)
DOOR FRAME PROFILE	Profile Code	Weight
	7126	1,137



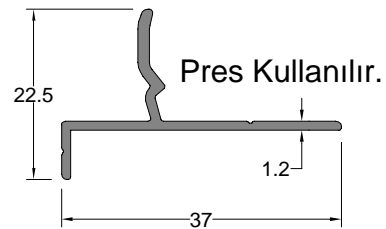
Kapı Kanat Profili	Profil Kodu	(kg/mt)
DOOR SASH PROFILE	Profile Code	Weight
	1931	0,688



Pres Kullanılır.

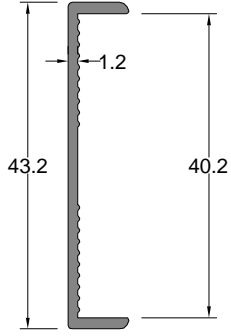
Kilitleme Profili	Profile Code	(kg/mt)
LOCKING PROFILE	Profile Code	Weight
	7123	0,267

K L TLEME KL PS	Product Code	(ad./pkt)
LOCKING CLIPS	Product Code	Weight
	KT.7123	100

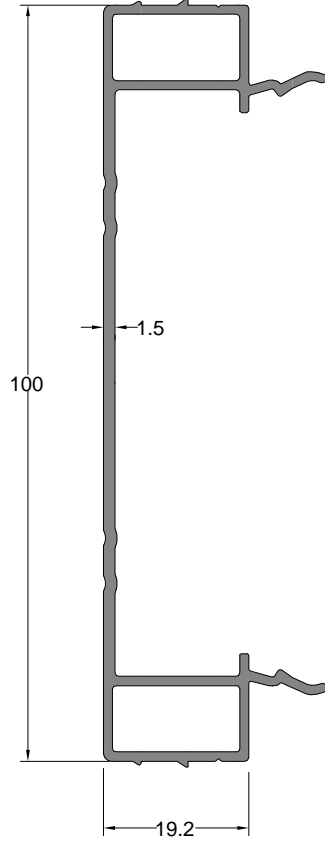


Ah ap Panel Ba lantı Profili	Profile Code	(kg/mt)
WOOD PANEL CONECTION PROFILE	Profile Code	Weight
	7125	0,202

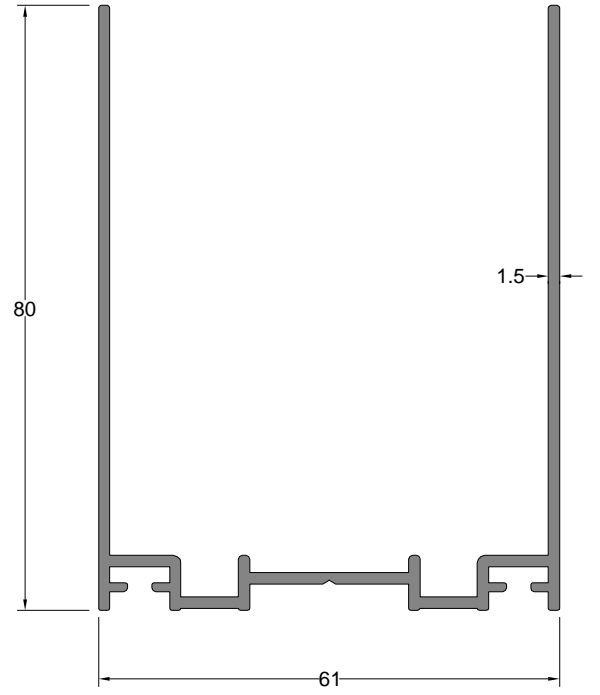
AH AP PANEL BA LANTI KL PS	Product Code	(ad./pkt)
WOOD PANEL CONNECTION CLIPS	Product Code	Weight
	KT.7125	100



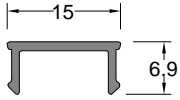
Kapı Kanat Profili DOOR SASH PROFILE	Profil Kodu Profile Code	(kg/mt) Weight
	8585	0,202



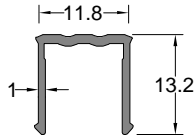
Yan Biti Profili SIDE FINISH PROFILE	Profil Kodu Profile Code	(kg/mt) Weight
	7127	0,780



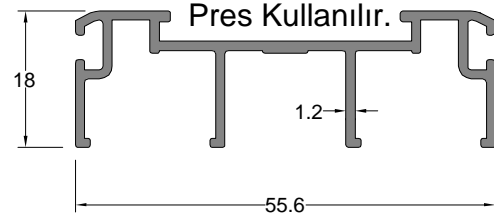
E ik Profili SILL PROFILE	Profil Kodu Profile Code	(kg/mt) Weight
	7128	1,006



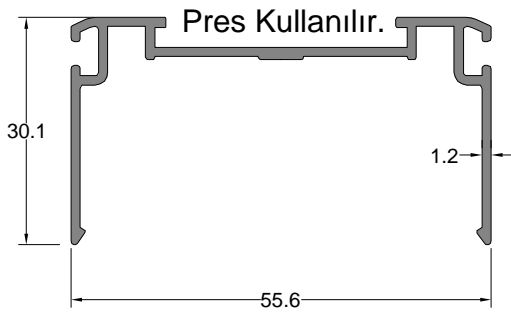
Cam - Panel Kapak Profili COVER PROFILE	Profil Kodu Profile Code	(kg/mt) Weight
	5992	0,080



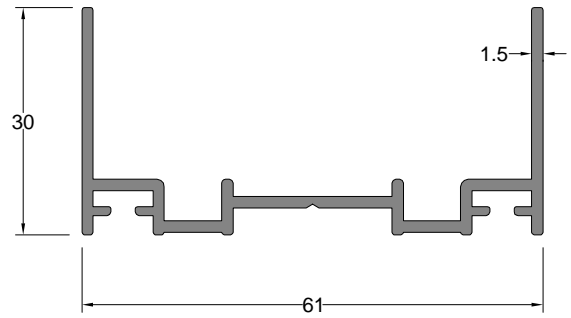
Kapak Profili COVER PROFILE	Profil Kodu Profile Code	(kg/mt) Weight
	7124	0,108



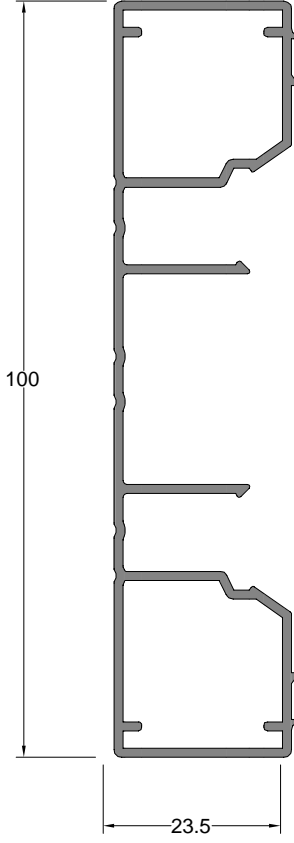
Ara Profili PROFILE	Profil Kodu Profile Code	(kg/mt) Weight
	7129	0,467



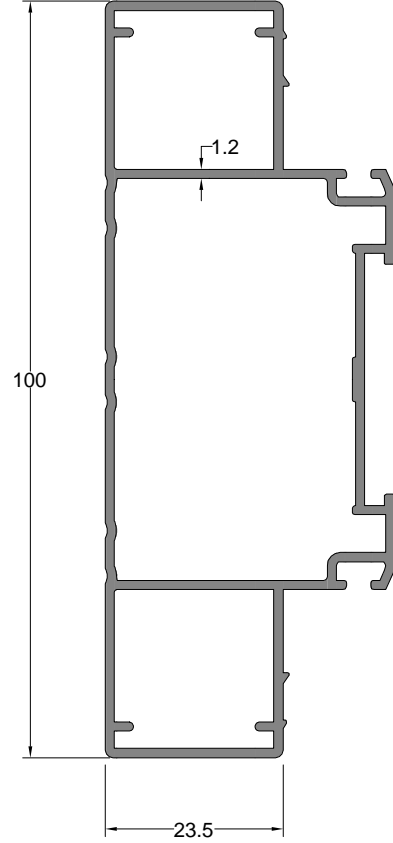
Alt Ara Profili BOTTOM PROFILE	Profil Kodu Profile Code	(kg/mt) Weight
	7130	0,455



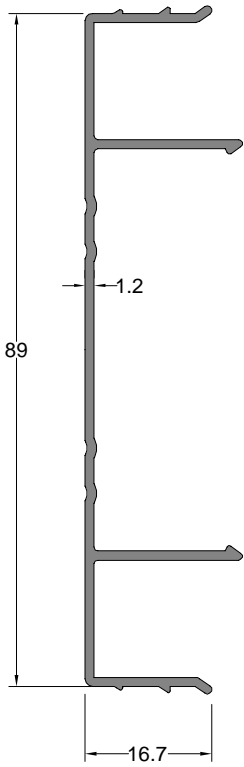
Üst Biti Profili TOP FINISH PROFILE	Profil Kodu Profile Code	(kg/mt) Weight
	7131	0,599



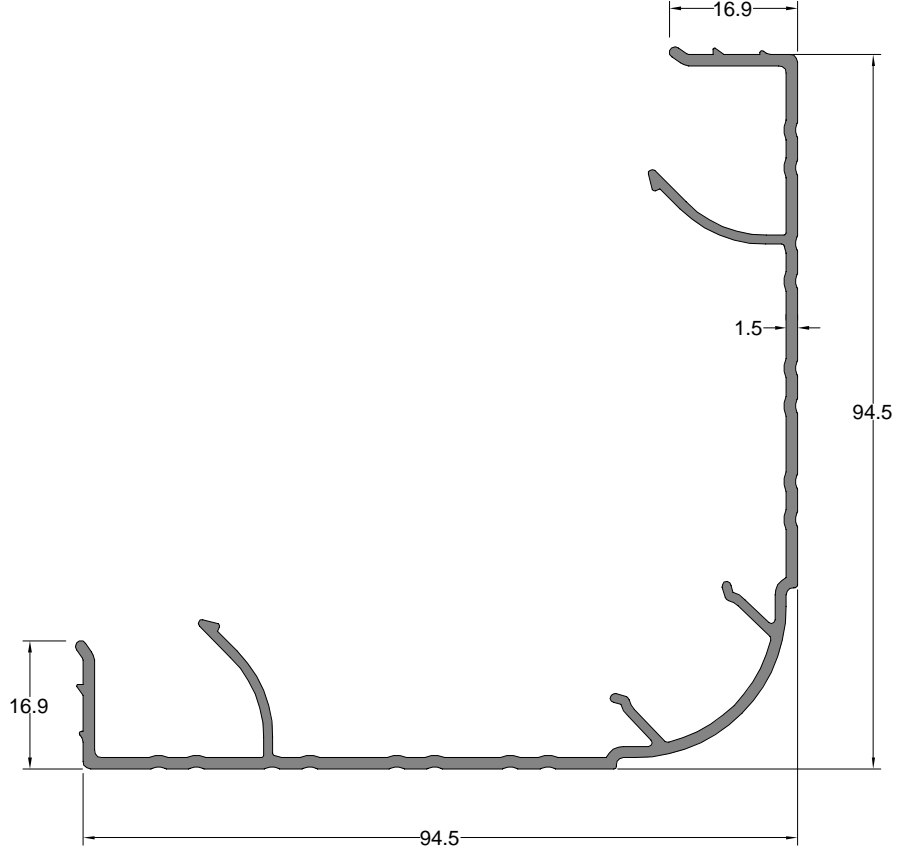
Duvar Biti Profili	Profil Kodu Profile Code	(kg/mt) Weight
WALL FINISH PROFILE	7132	0,888



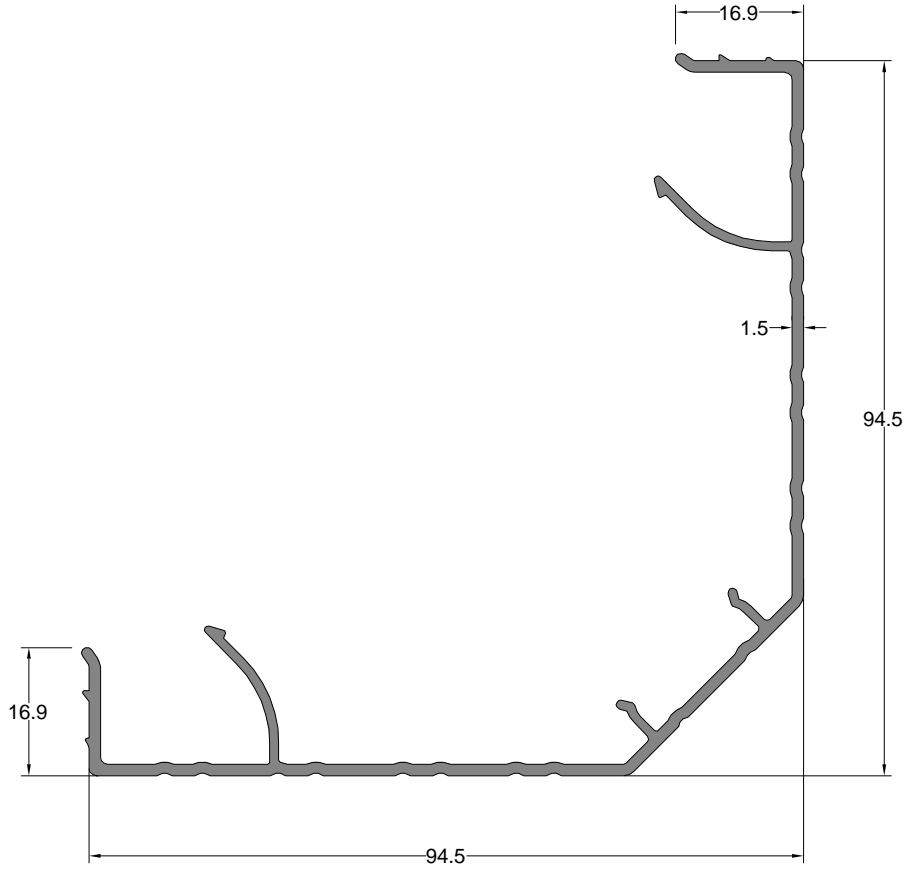
Duvar Biti Profili	Profil Kodu Profile Code	(kg/mt) Weight
WALL FINIS PROFILE	7133	1,142



Dönü Profili	Profil Kodu Profile Code	(kg/mt) Weight
RETURN PROFILE	7134	0,528

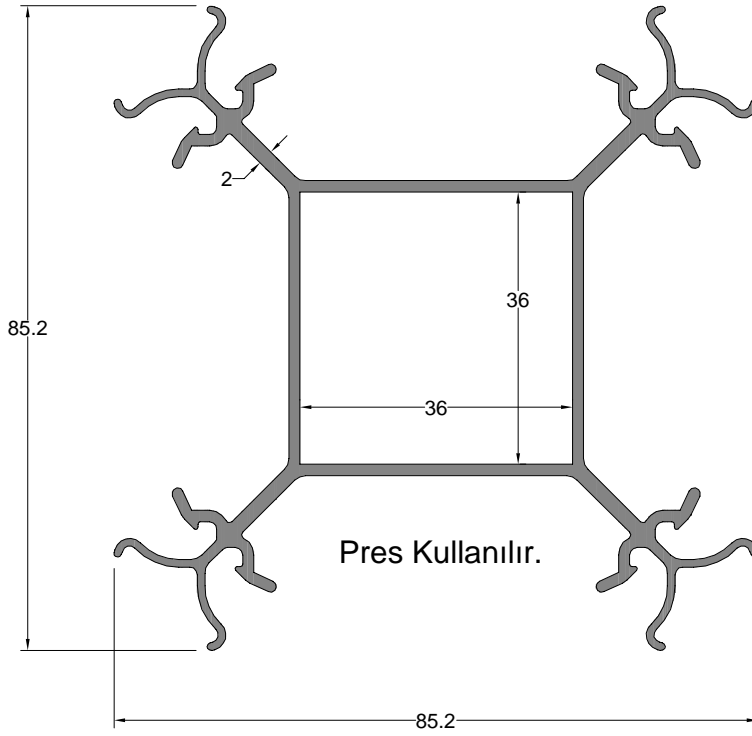


90° Dönü Profili	Profil Kodu Profile Code	(kg/mt) Weight
90° CORNER RETURN PROFILE	7135	1,065



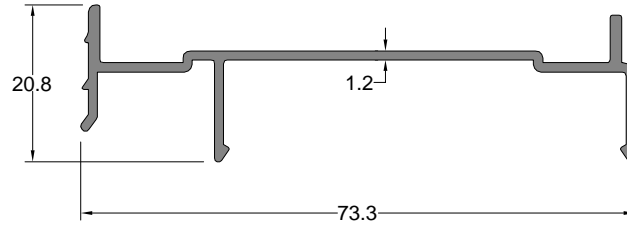
90° Kö eli Dönü Profili  
90° CORNER RETURN PROFILE

Profil Kodu Profile Code	(kg/mt) Weight
7136	1,034

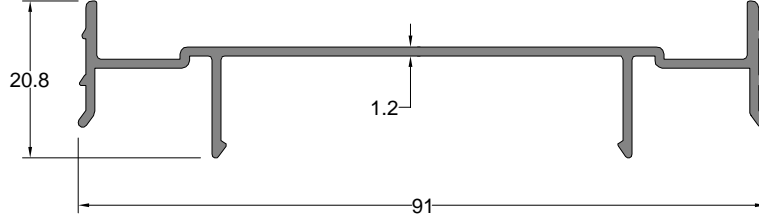


Kö e Birle im Profili  
CORNER JOINTING PROFILE

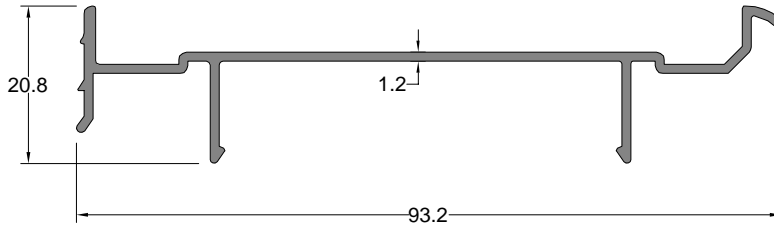
Profil Kodu Profile Code	(kg/mt) Weight
7137	1,567



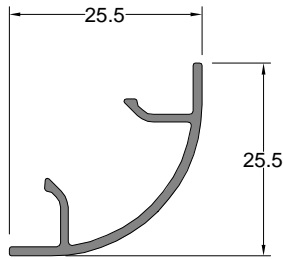
Adaptör Profili	Profil Kodu	(kg/mt)
ADAPTER PROFILE	Profile Code	Weight
	7139	0,413



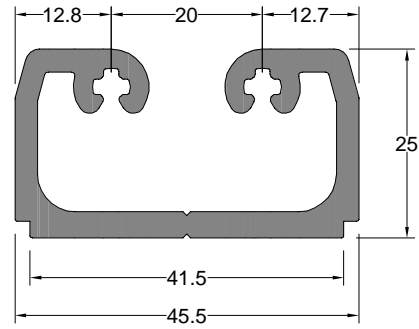
Adaptör Profili	Profil Kodu	(kg/mt)
ADAPTER PROFILE	Profile Code	Weight
	7140	0,508



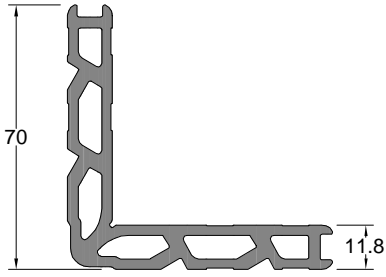
Adaptör Profili	Profil Kodu	(kg/mt)
ADAPTER PROFILE	Profile Code	Weight
	7141	0,479



ç Kö e Adaptör Profili	Profil Kodu	(kg/mt)
INWARD CORNER ADAPTER PROFILE	Profile Code	Weight
	7142	0,189

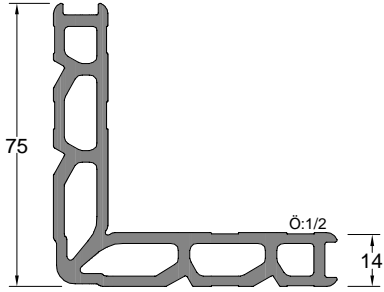


Adaptör Profili	Profil Kodu	(kg/mt)
ADAPTER PROFILE	Profile Code	Weight
	5042	1,144



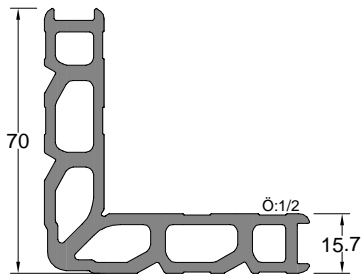
Kö e Takozu Profil Kodu Corner Wedge Profile Code	Kullanıldı ı Profil Compatible Profile	Kesim Boyu (mm) Cutting Length (mm)
5022	7121	45,30 mm

Kö e Takozu Profili CORNER WEDGE PROFILE	Profil Kodu Profile Code	(kg/mt) Weight
	5022	2,245



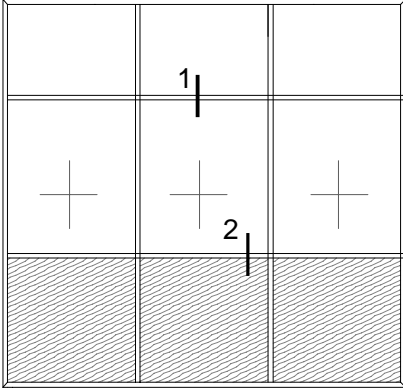
Kö e Takozu Profil Kodu Corner Wedge Profile Code	Kullanıldı ı Profil Compatible Profile	Kesim Boyu (mm) Cutting Length (mm)
1662	8557	16,90 mm

Kö e Takozu Profili CORNER WEDGE PROFILE	Profil Kodu Profile Code	(kg/mt) Weight
	1662	2,576

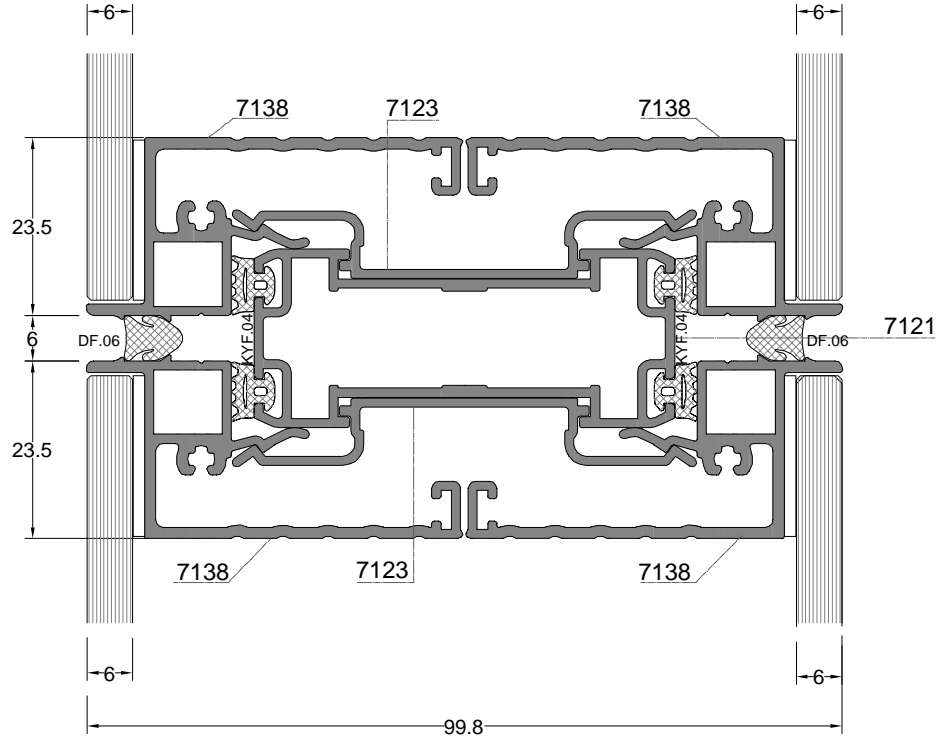


Kö e Takozu Profil Kodu Corner Wedge Profile Code	Kullanıldı ı Profil Compatible Profile	Kesim Boyu (mm) Cutting Length (mm)
1695	7126	16,60 mm

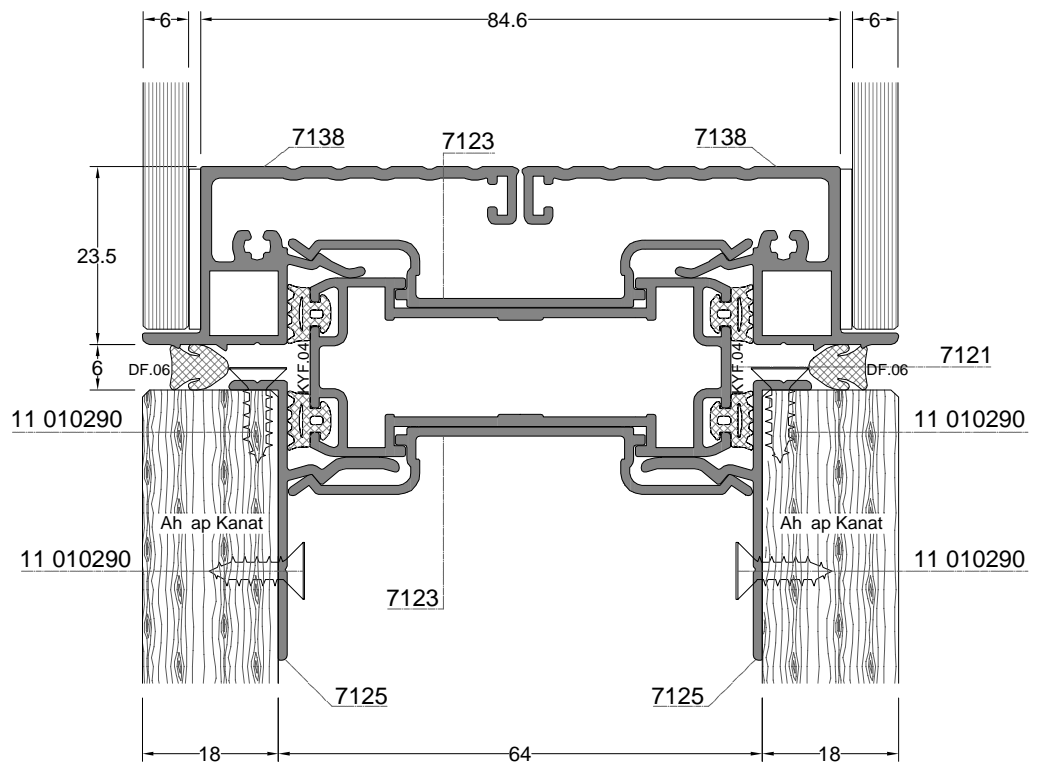
Kö e Takozu Profili CORNER WEDGE PROFILE	Profil Kodu Profile Code	(kg/mt) Weight
	1695	2,540

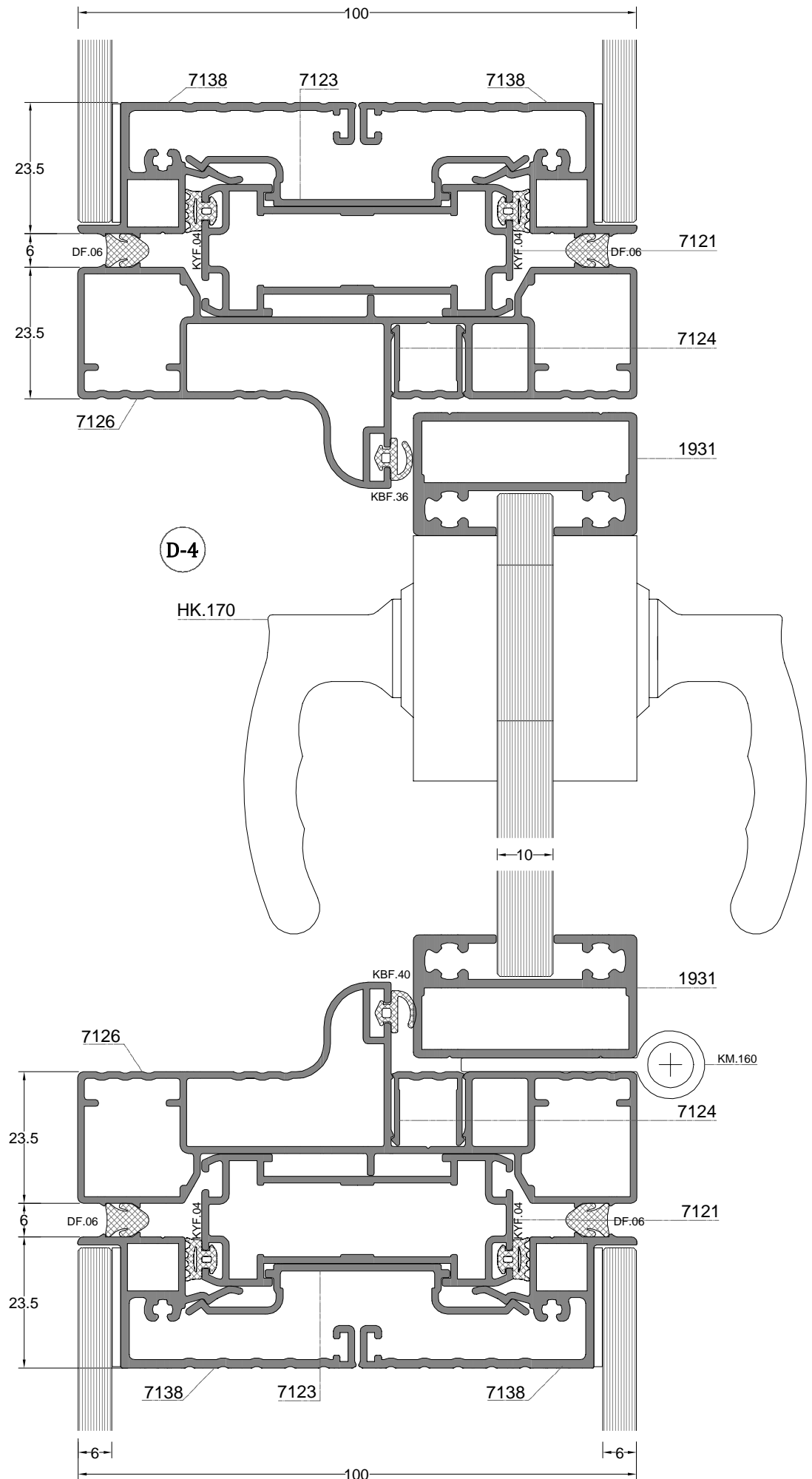
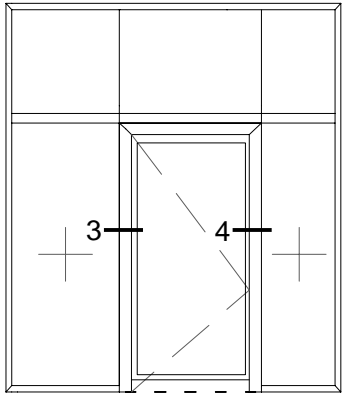


D-1

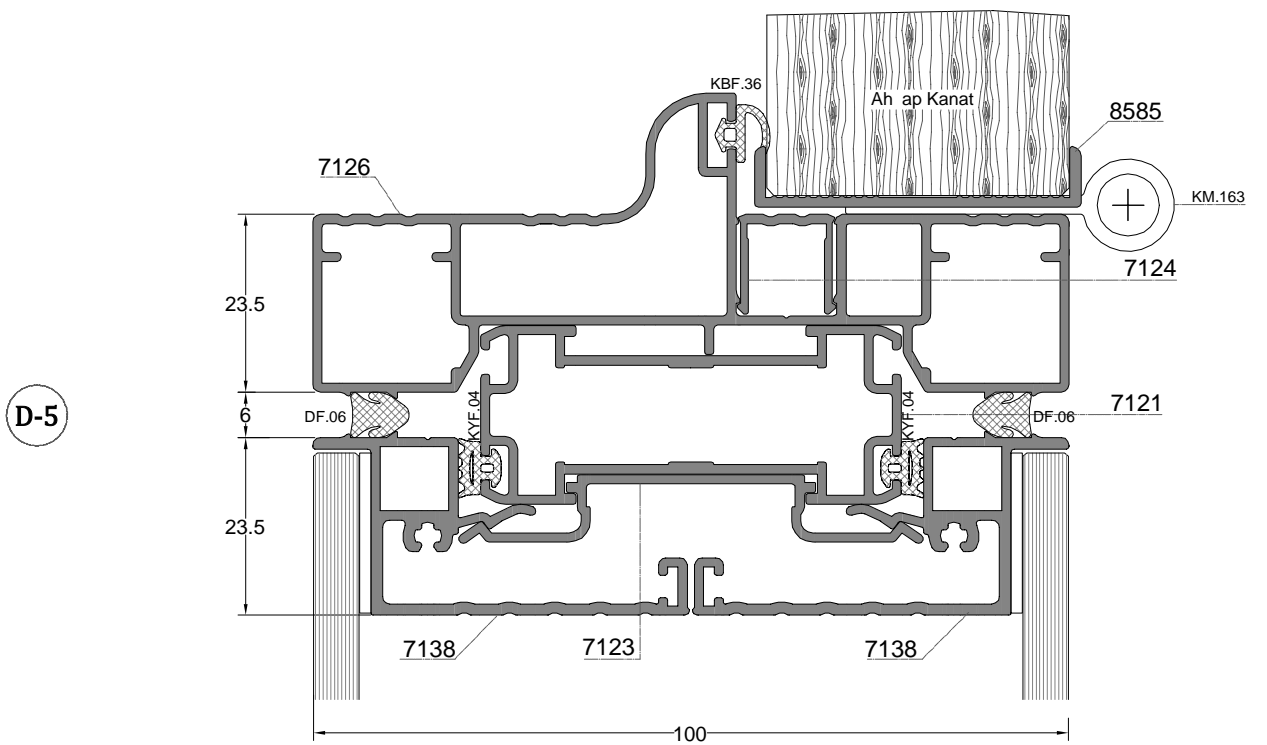
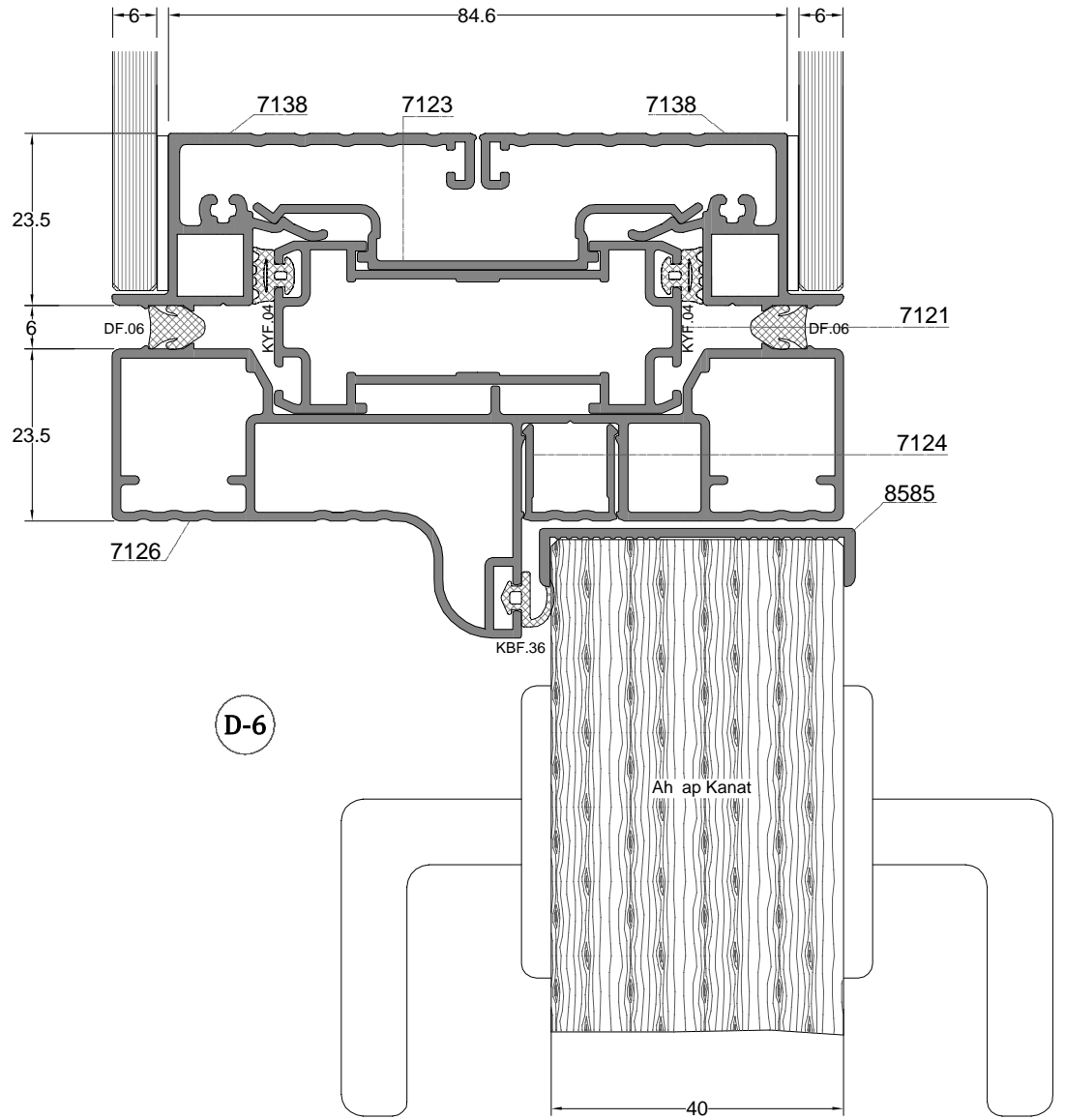
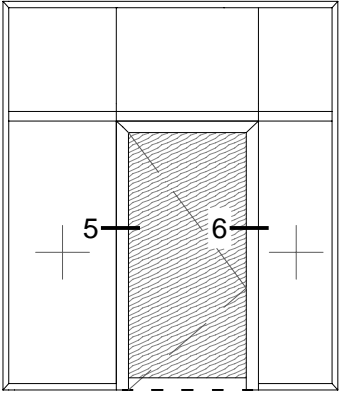


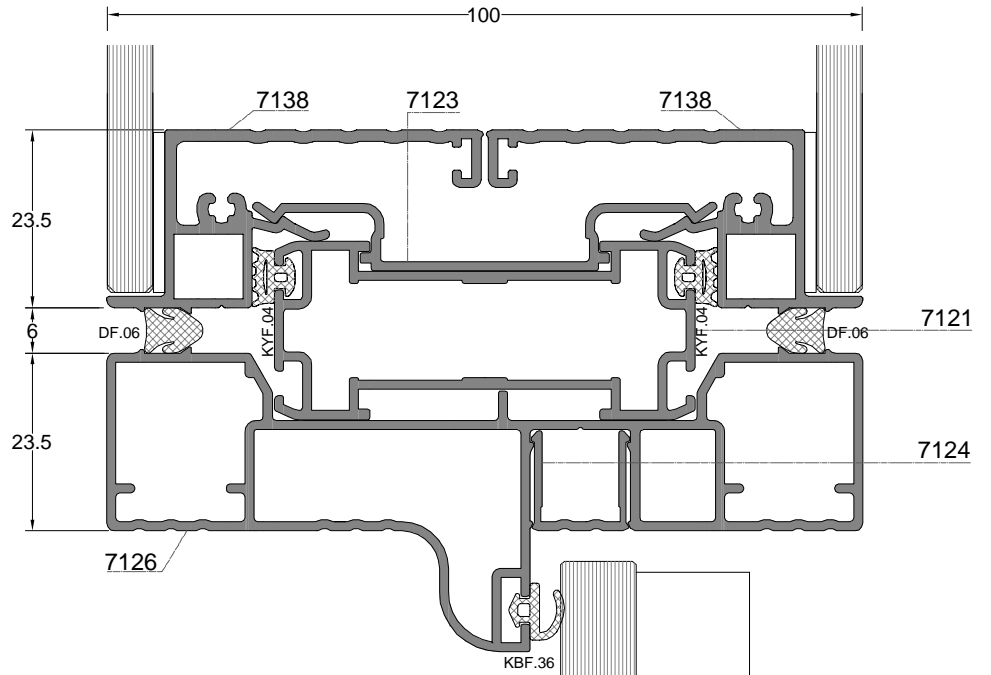
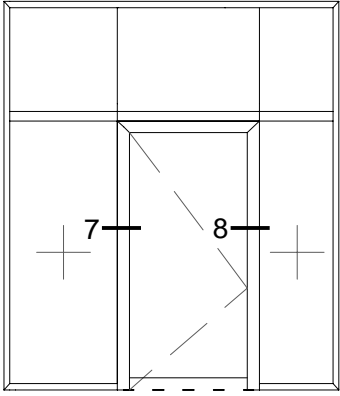
D-2







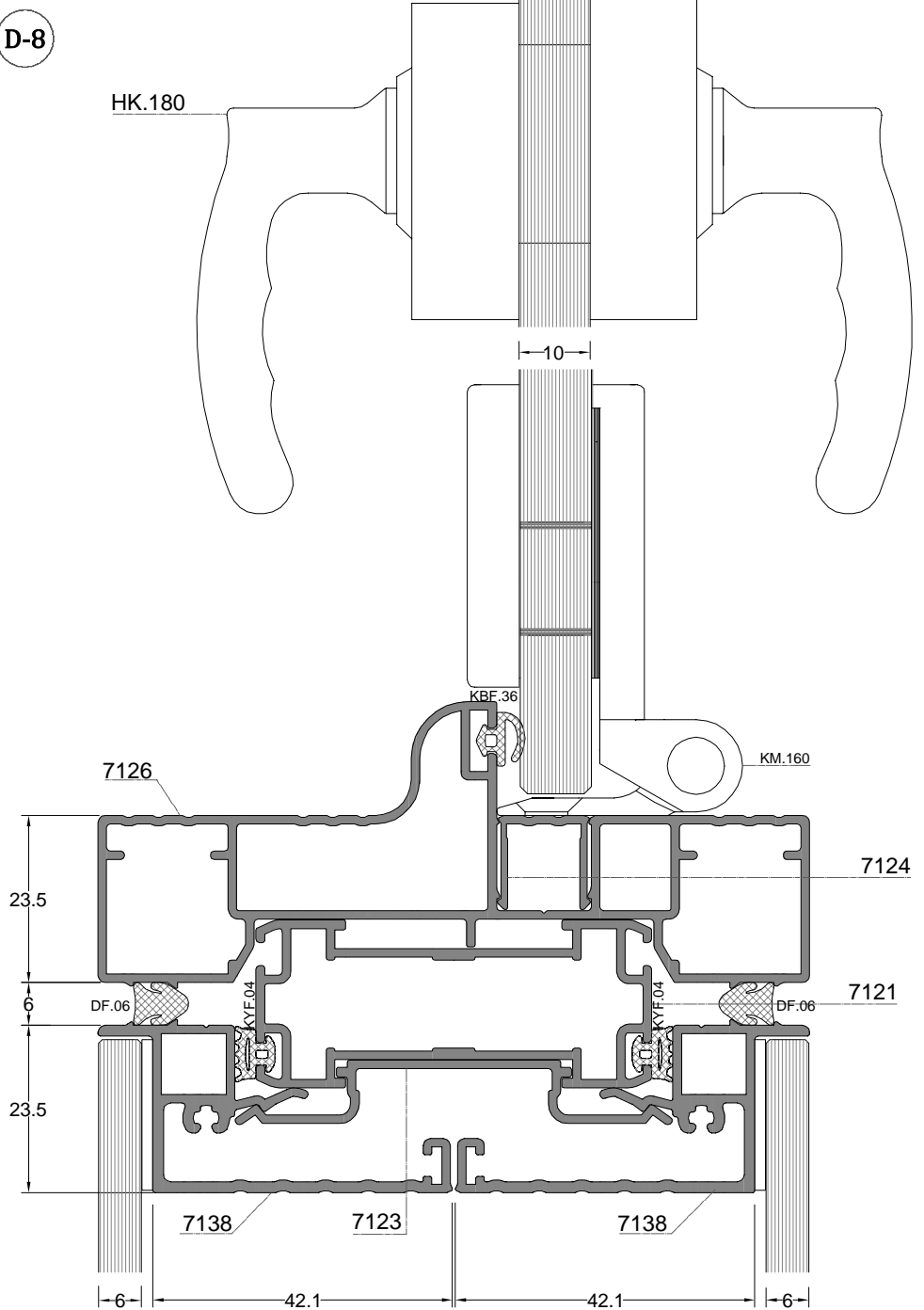




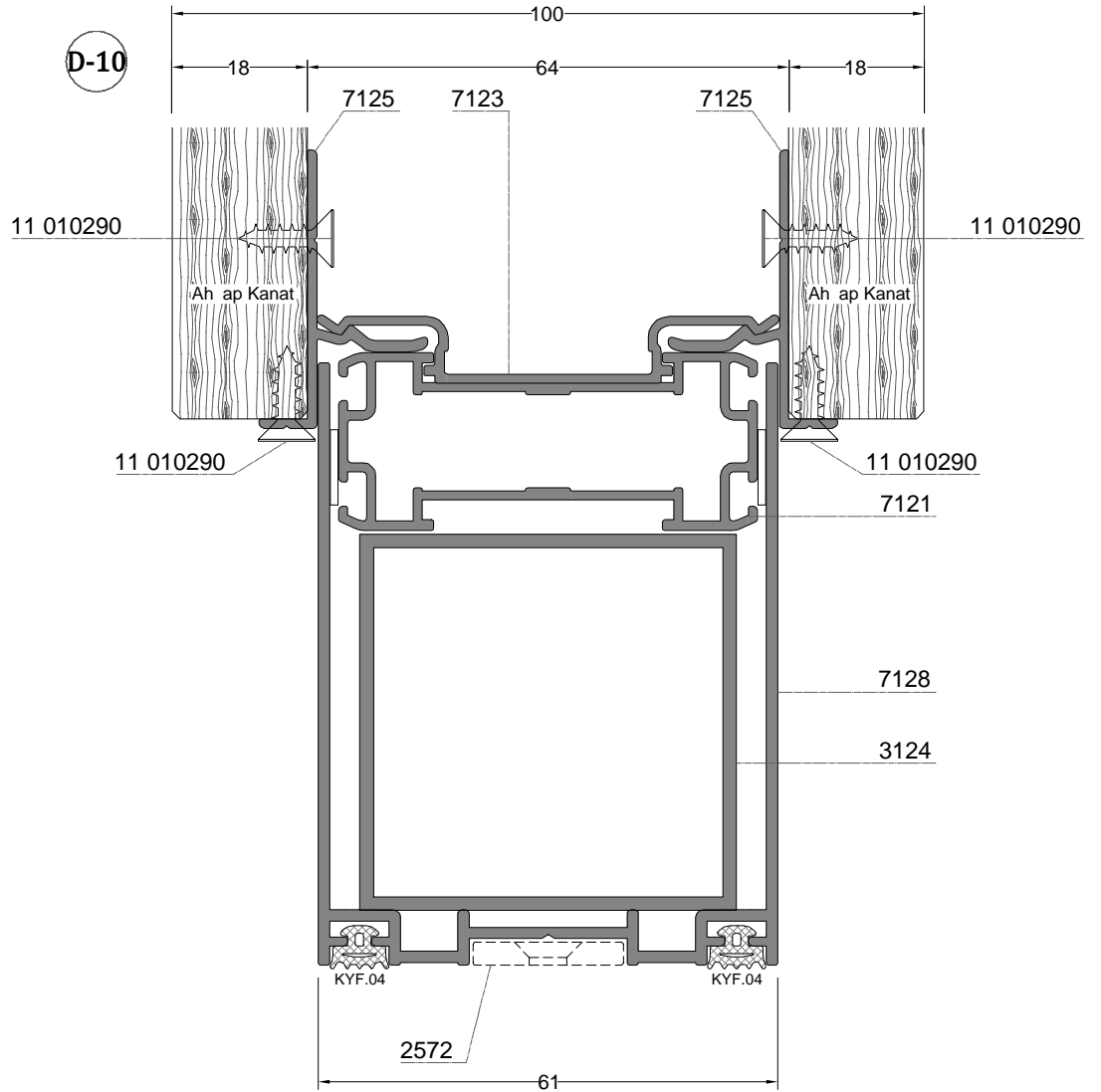
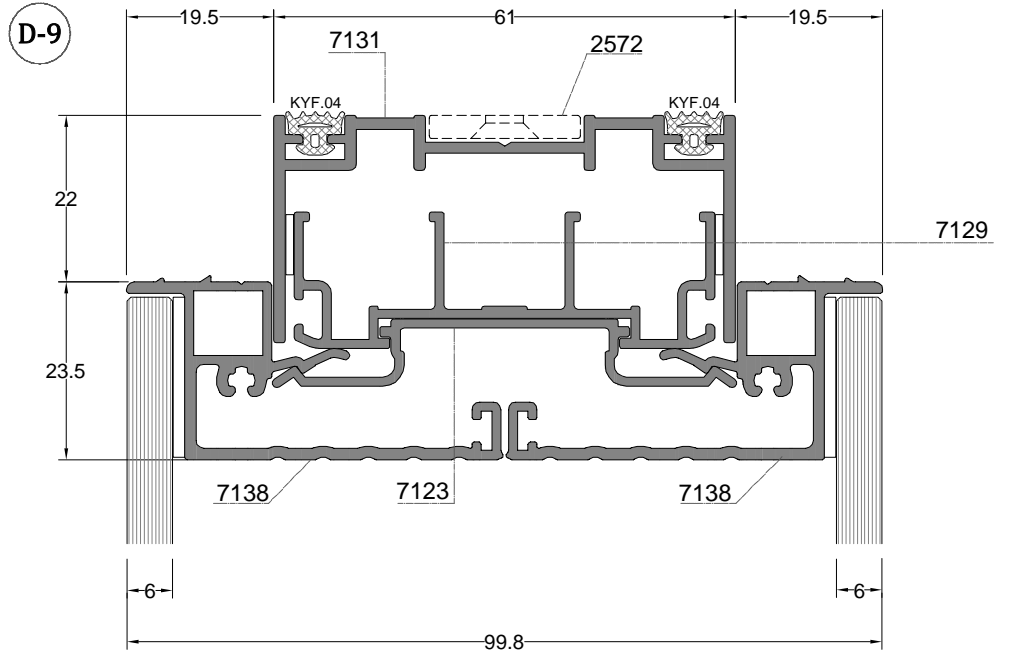
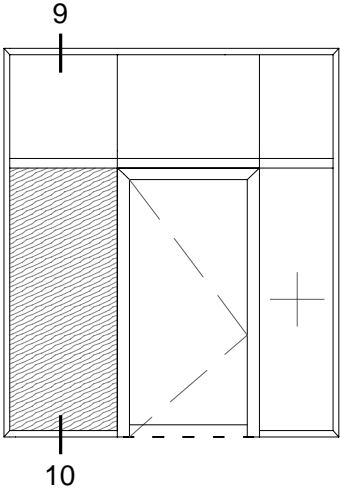
D-8

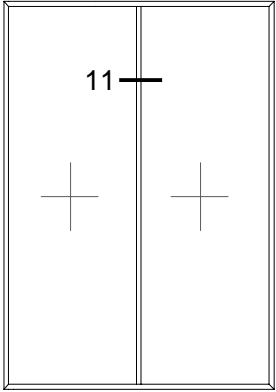
HK.180

10

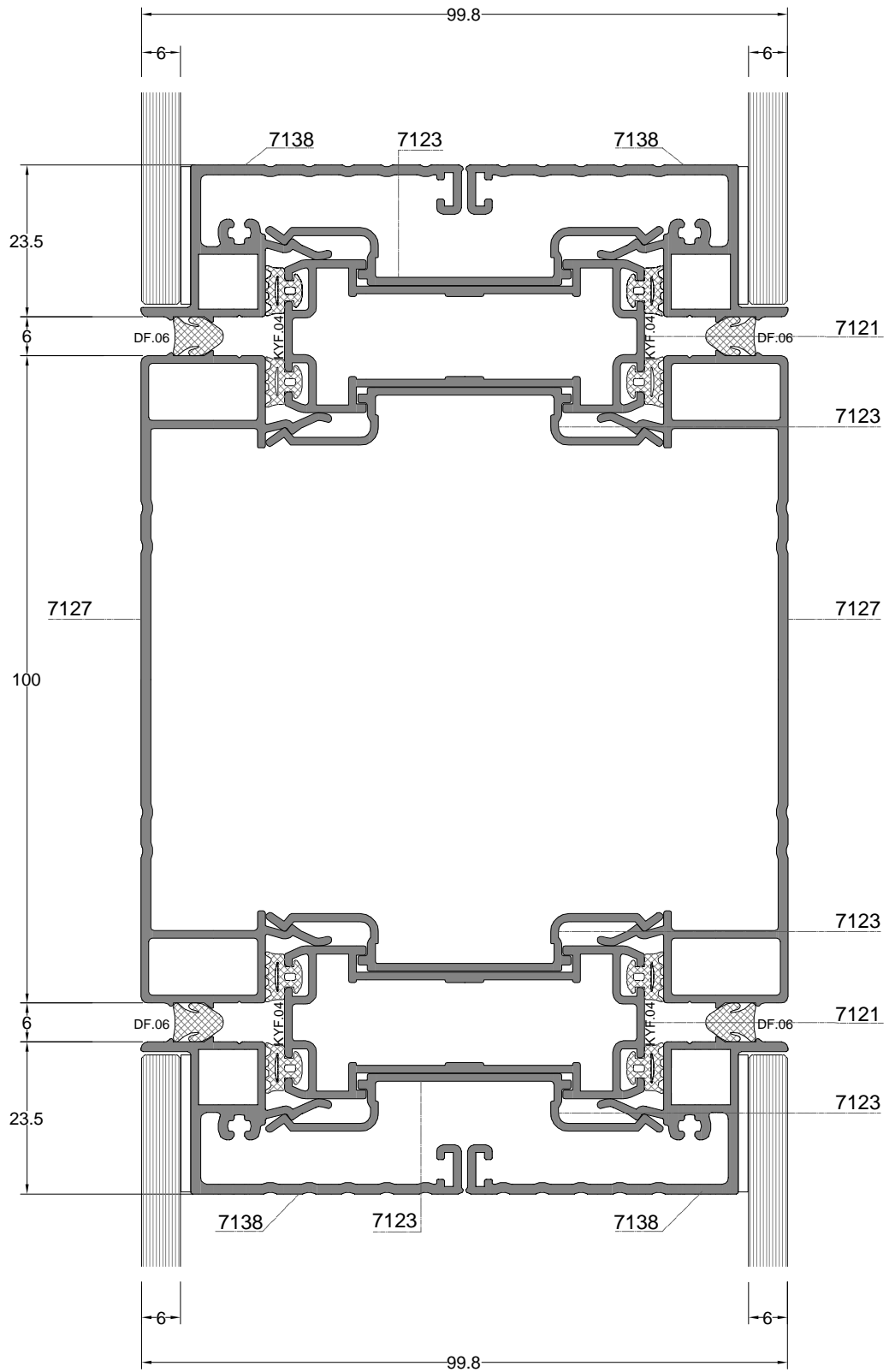


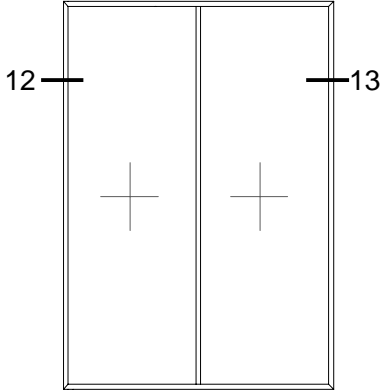
D-7



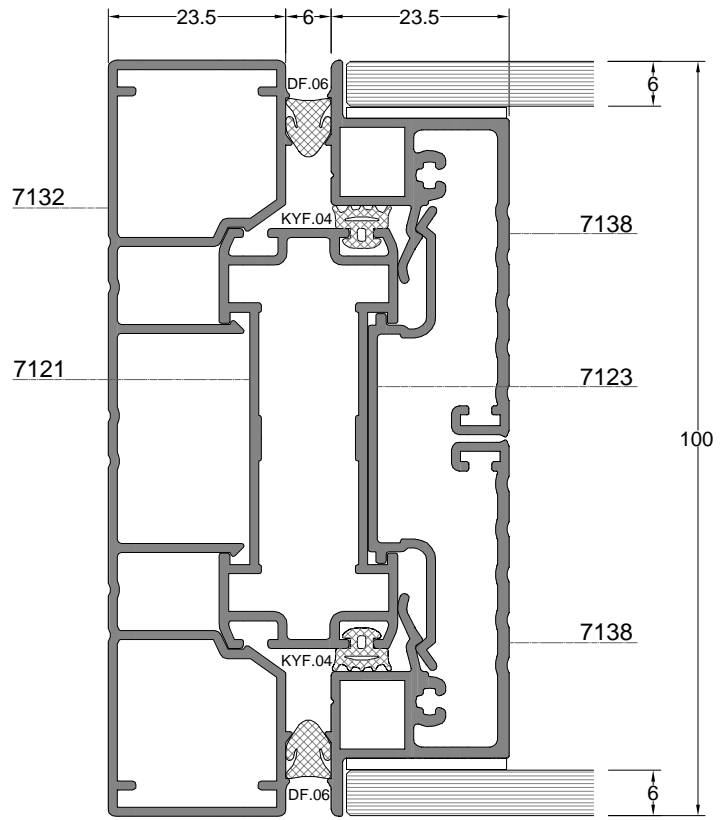


D-11

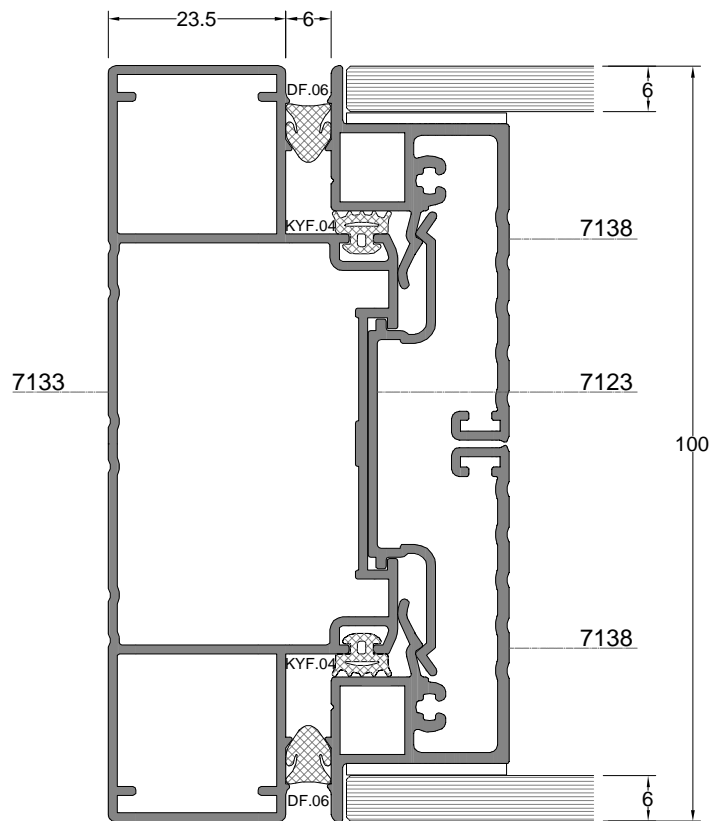


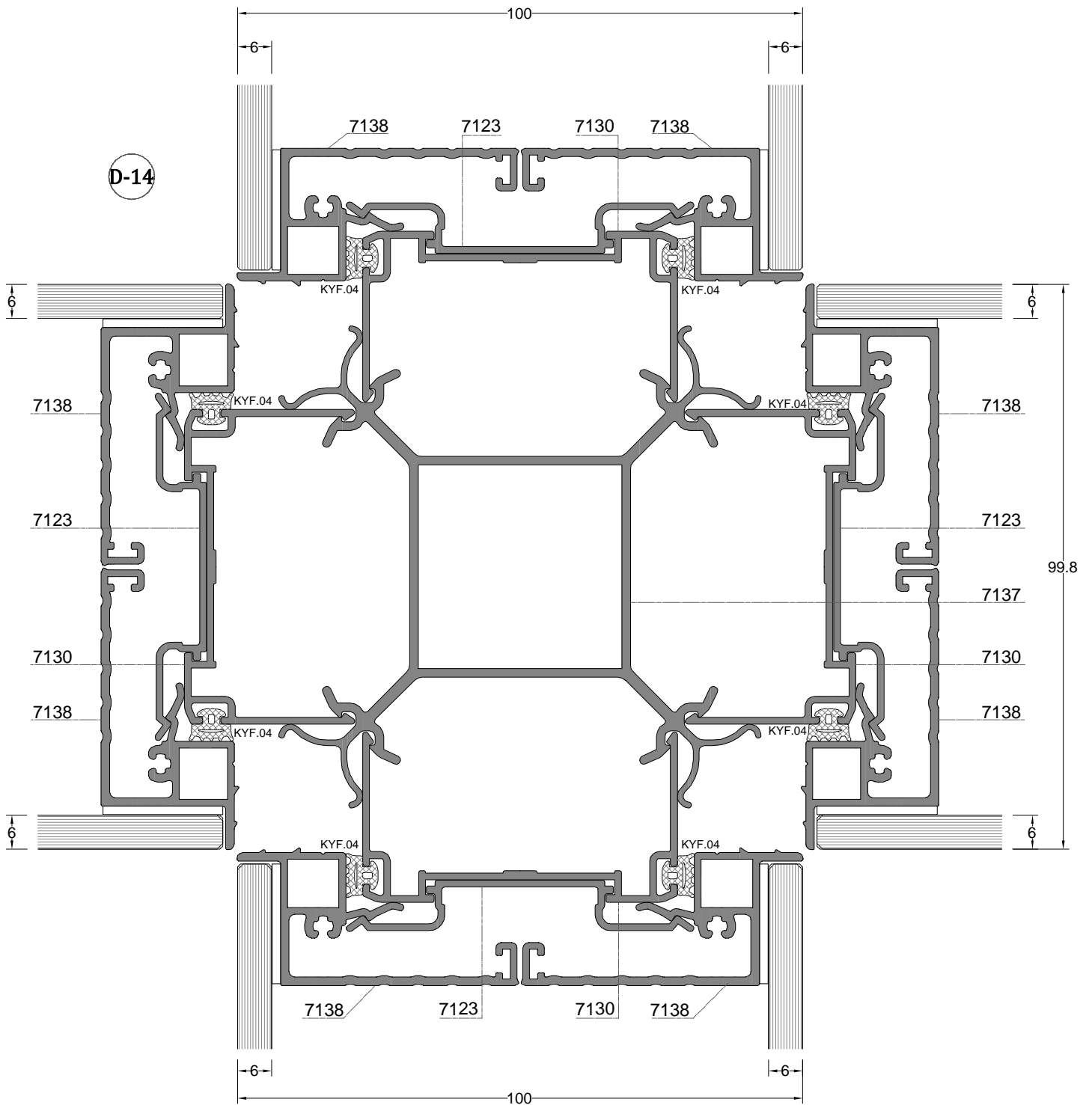
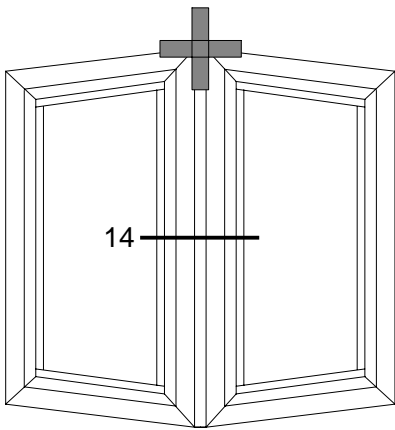


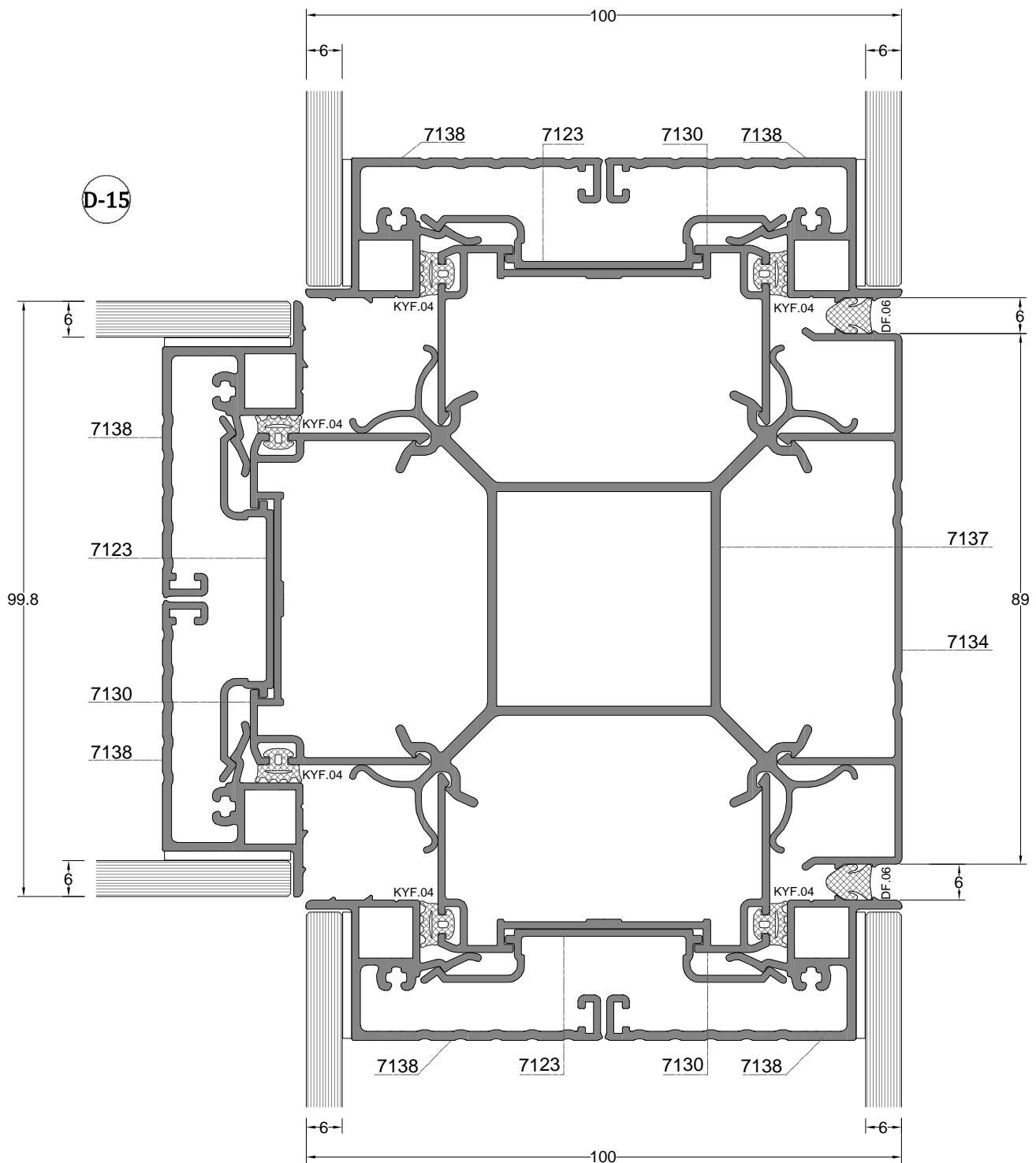
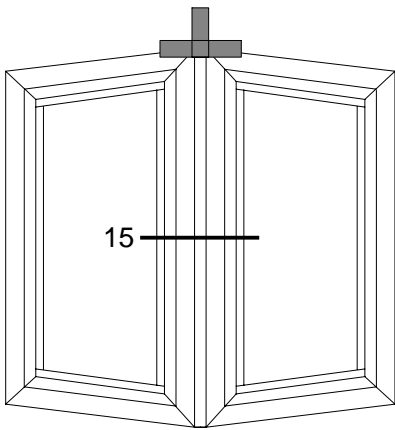
D-12

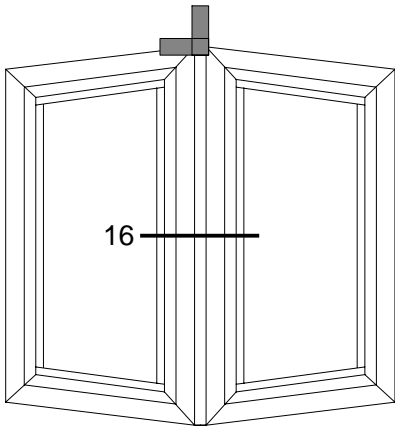


D-13

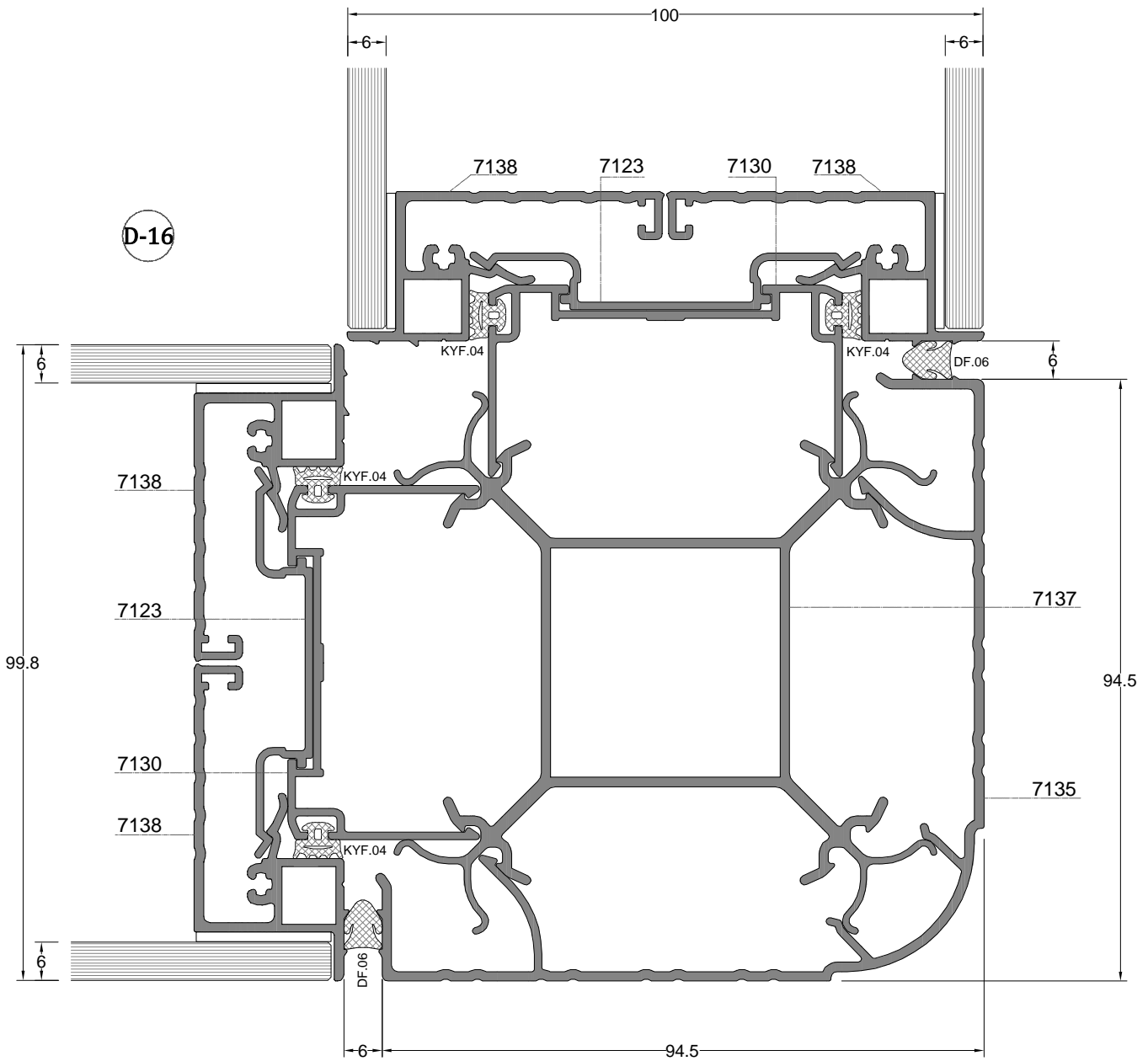




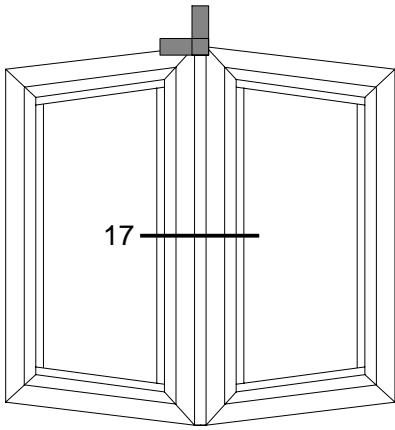




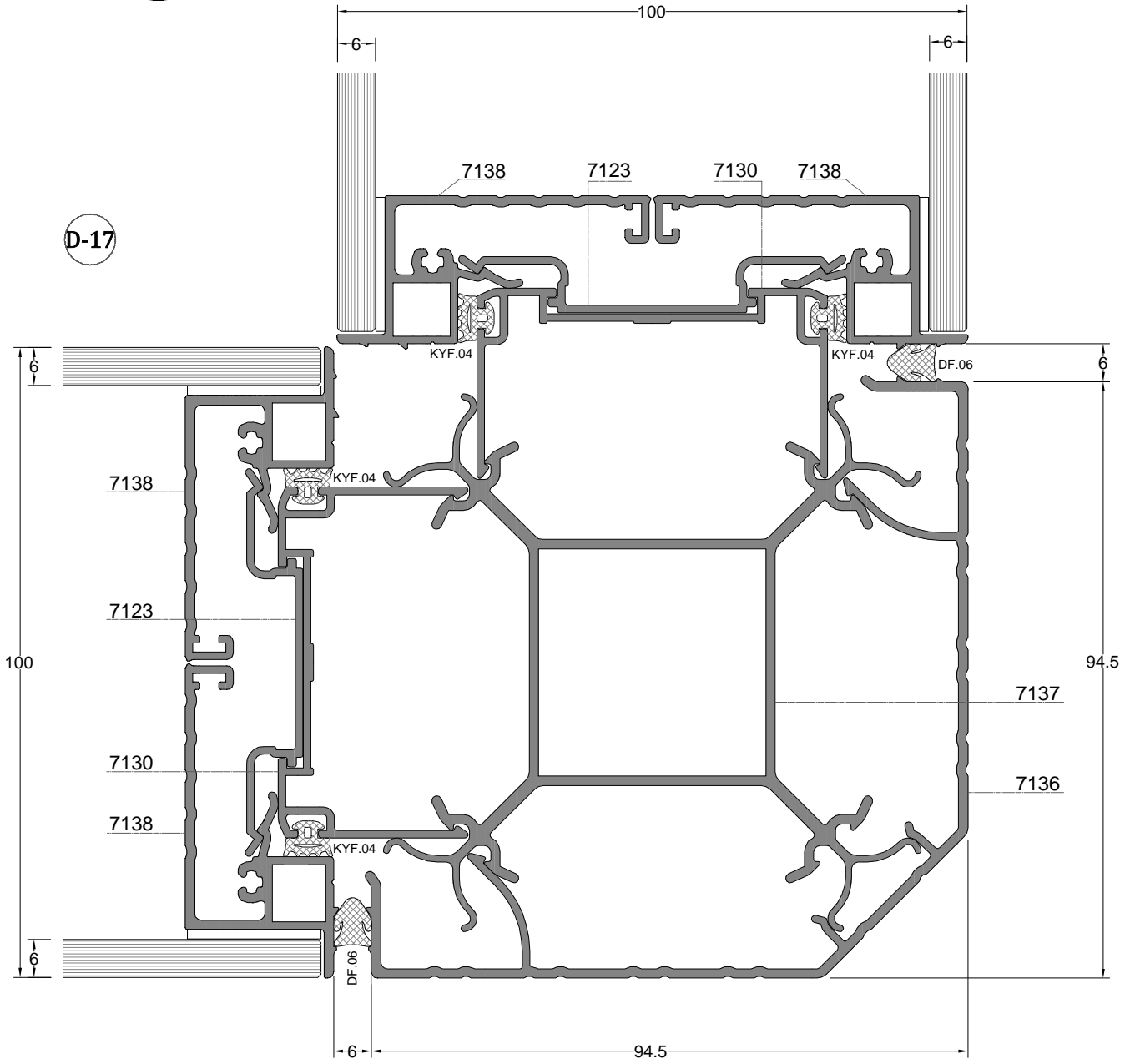
16

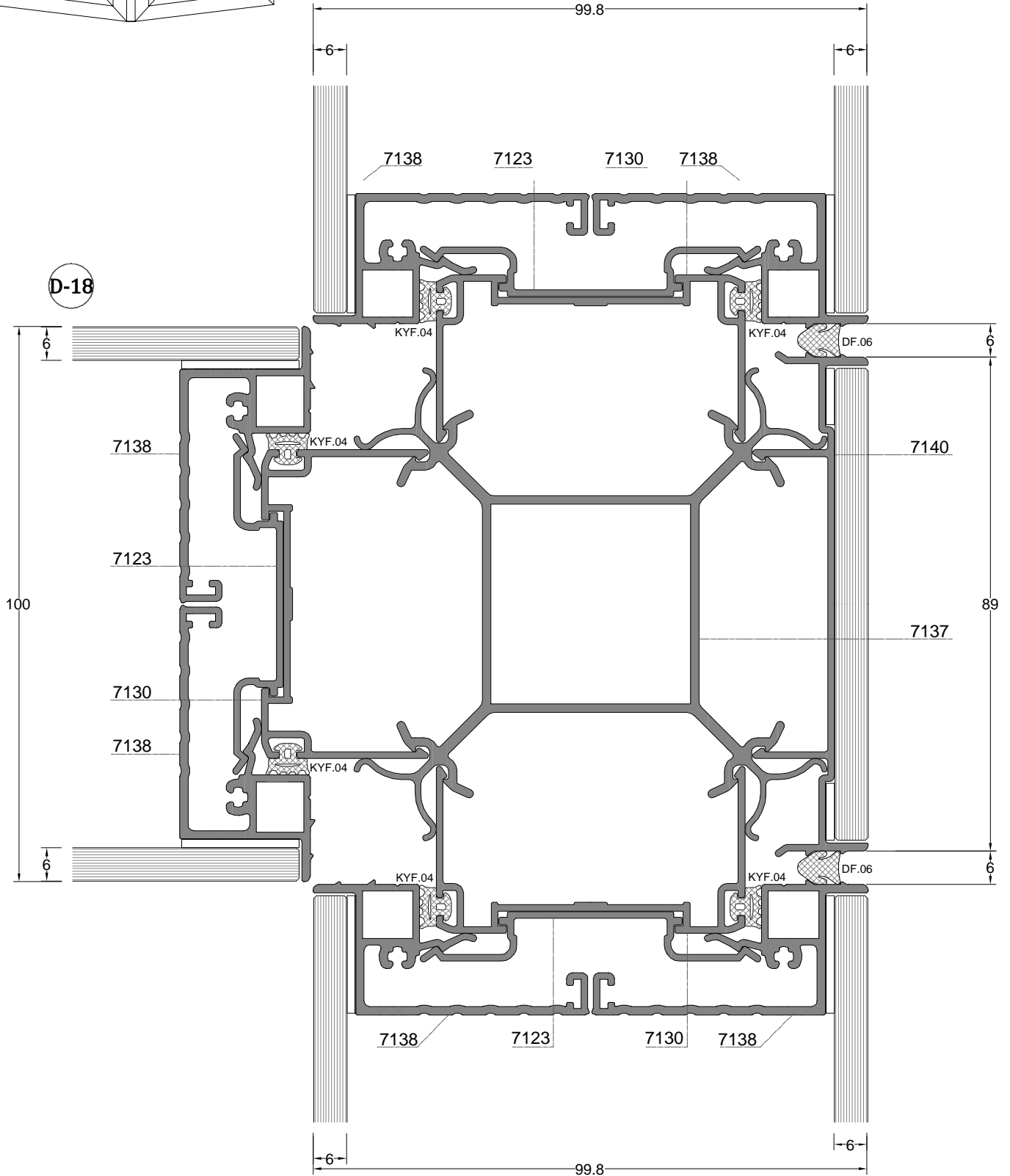
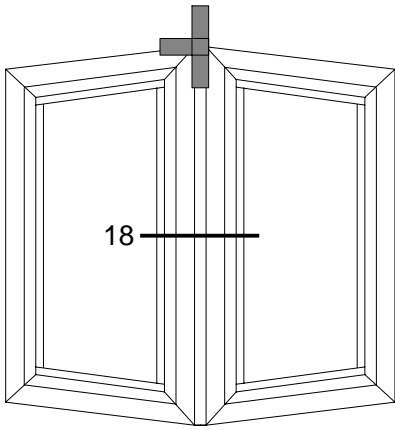




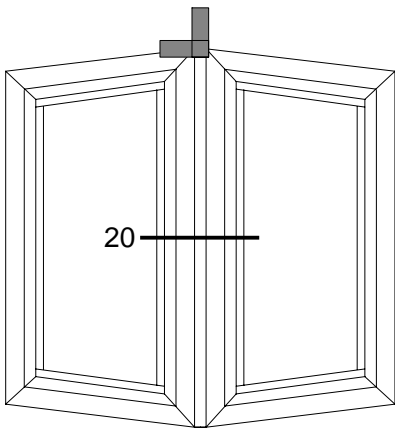


D-17

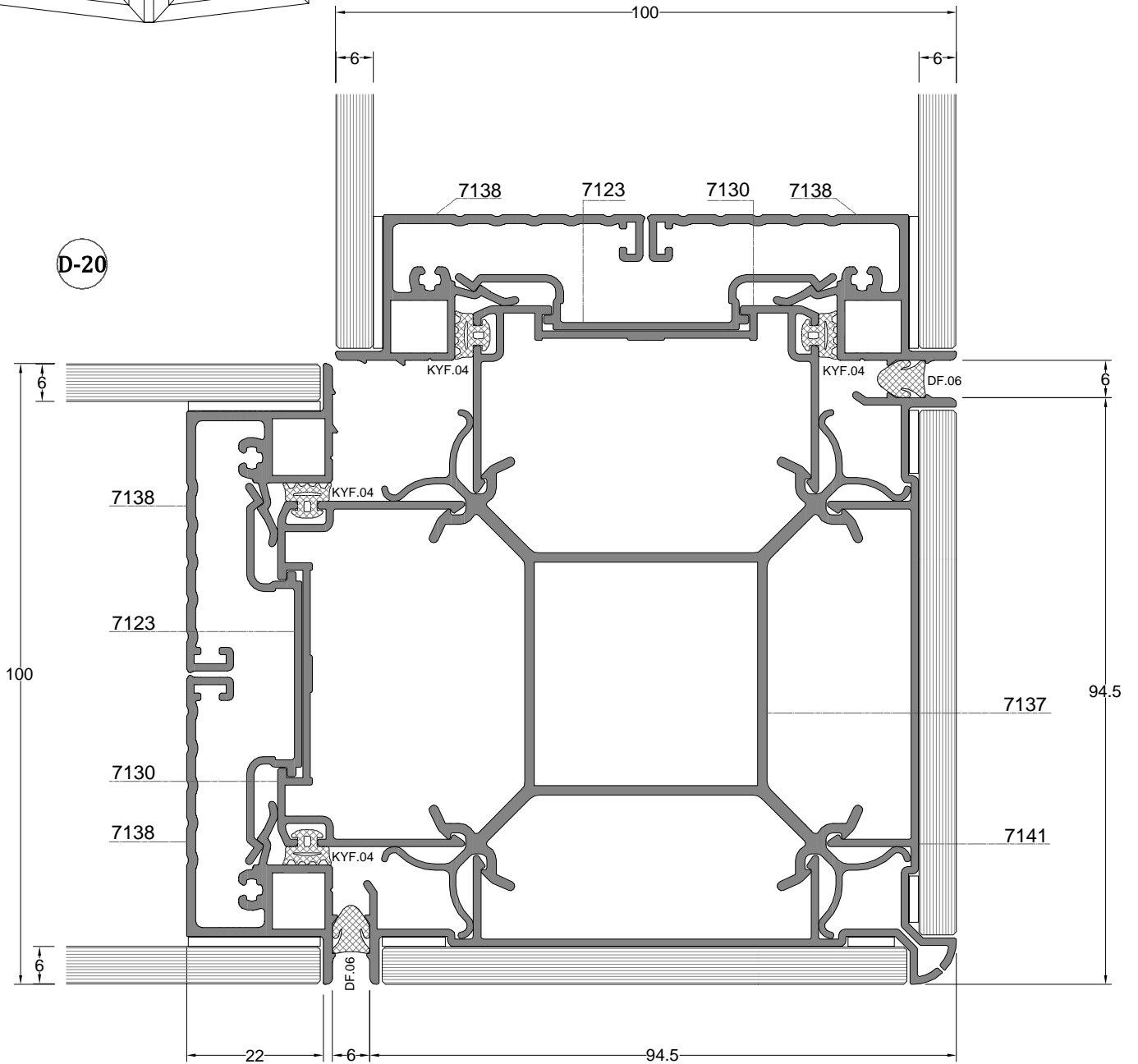


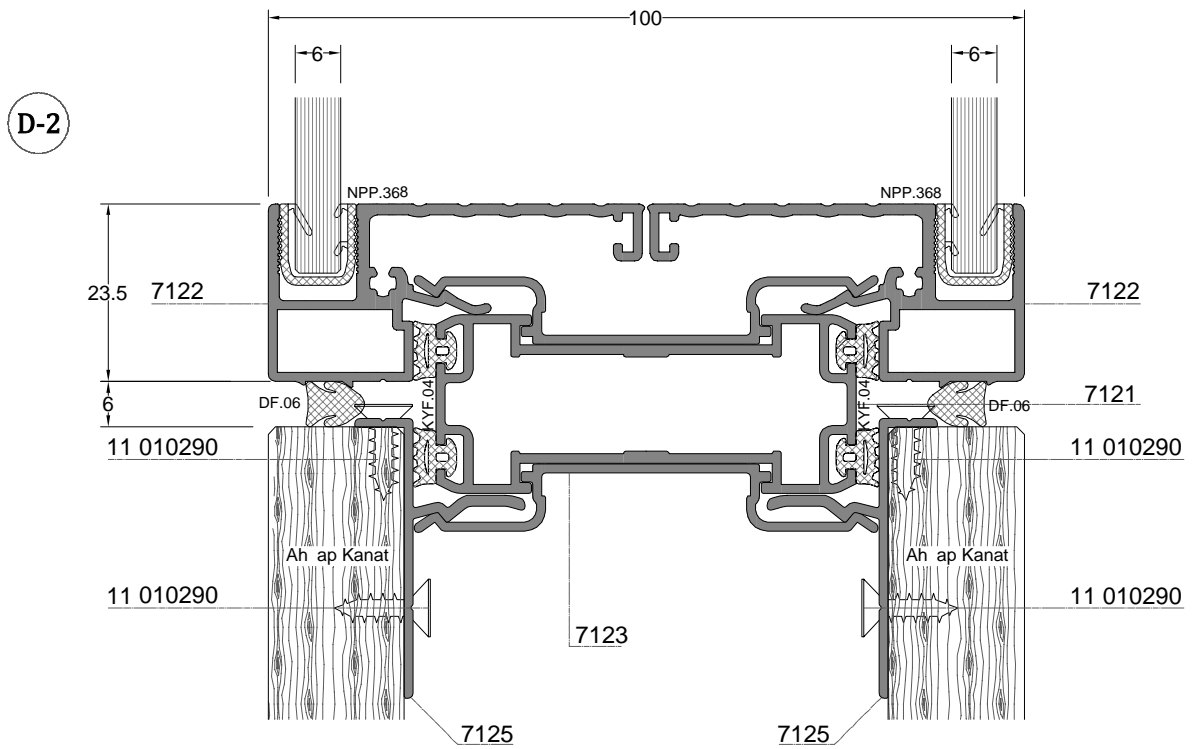
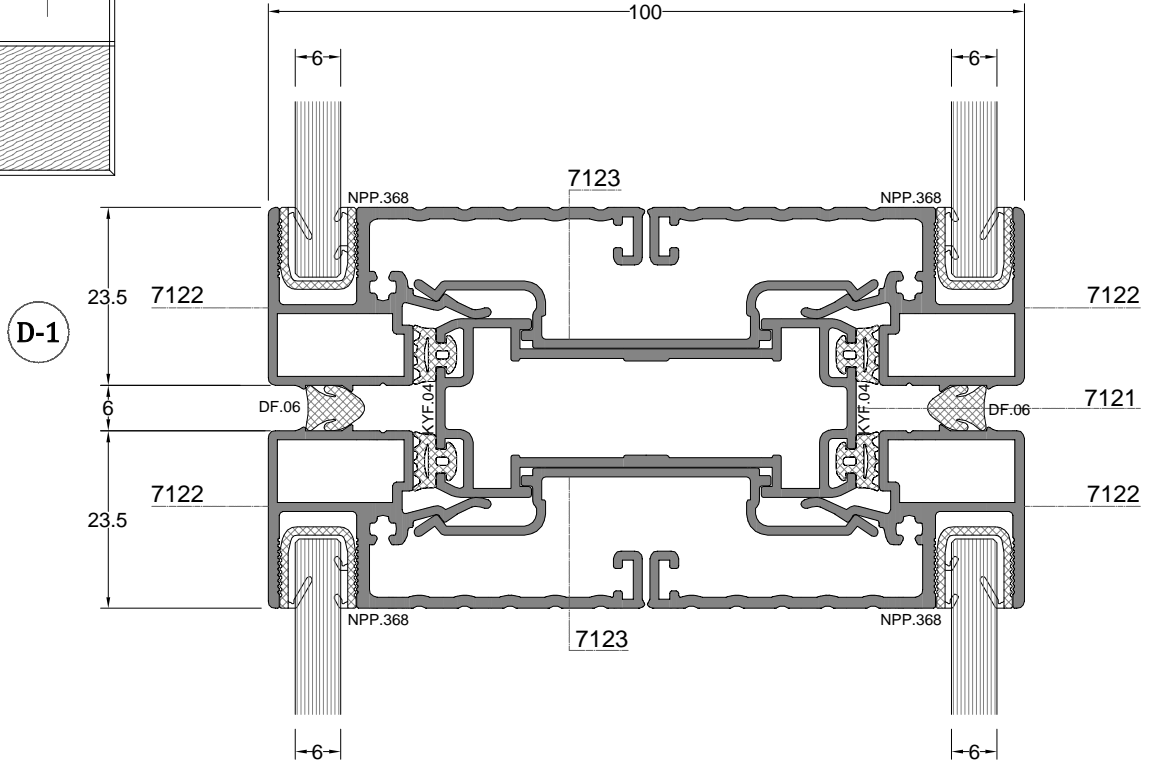
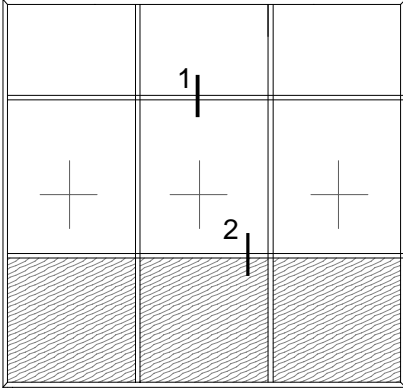


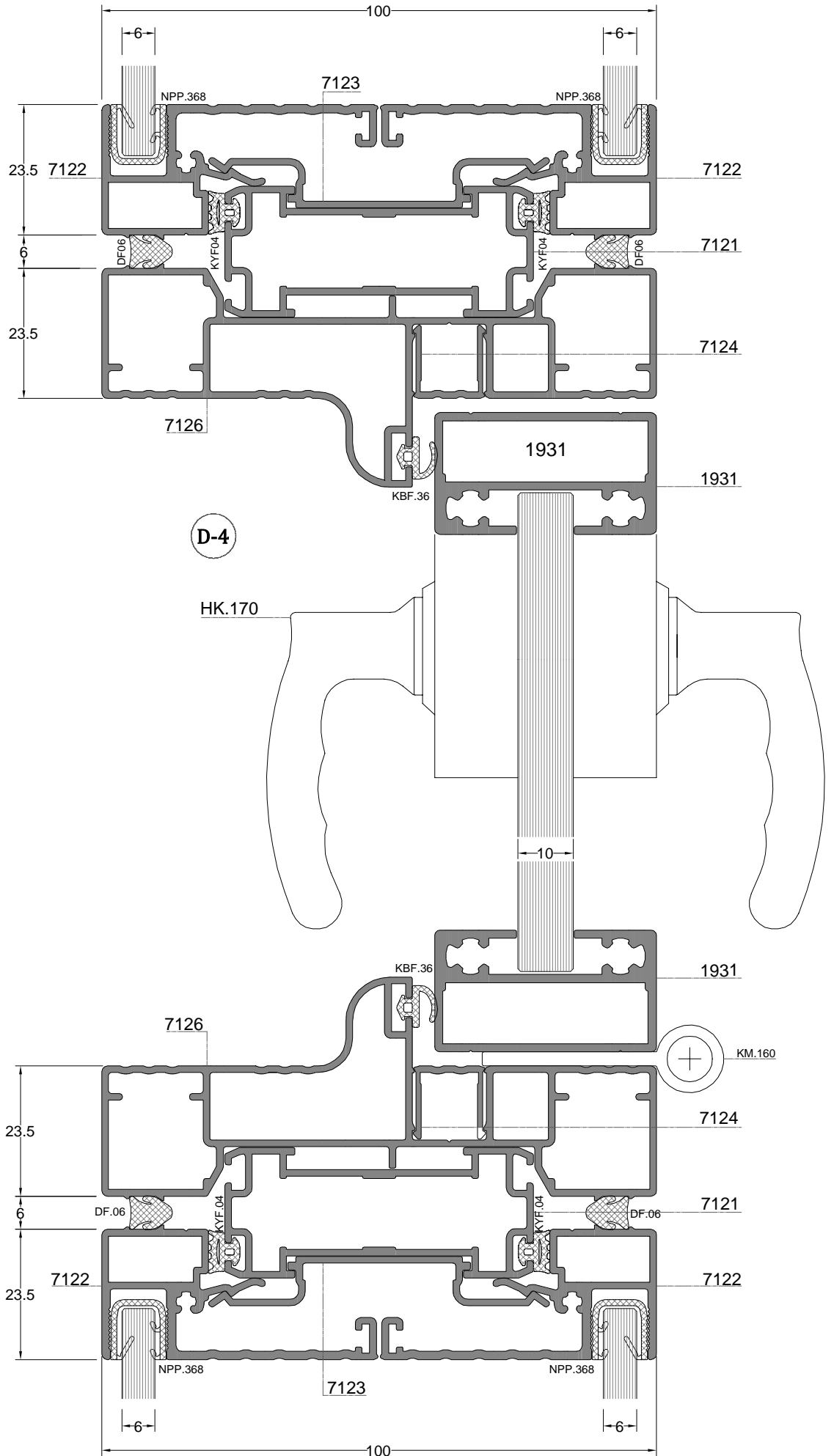
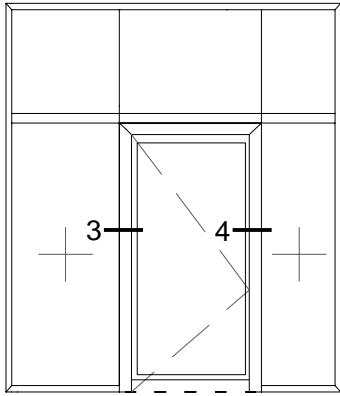


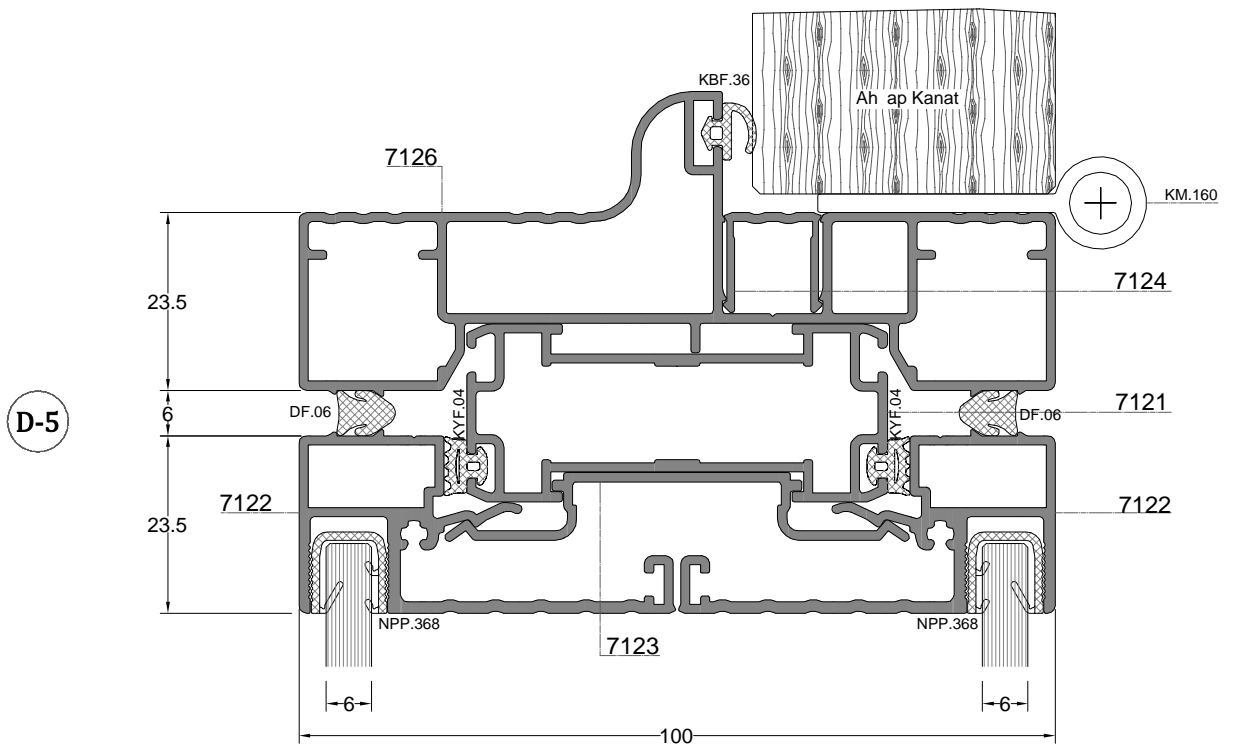
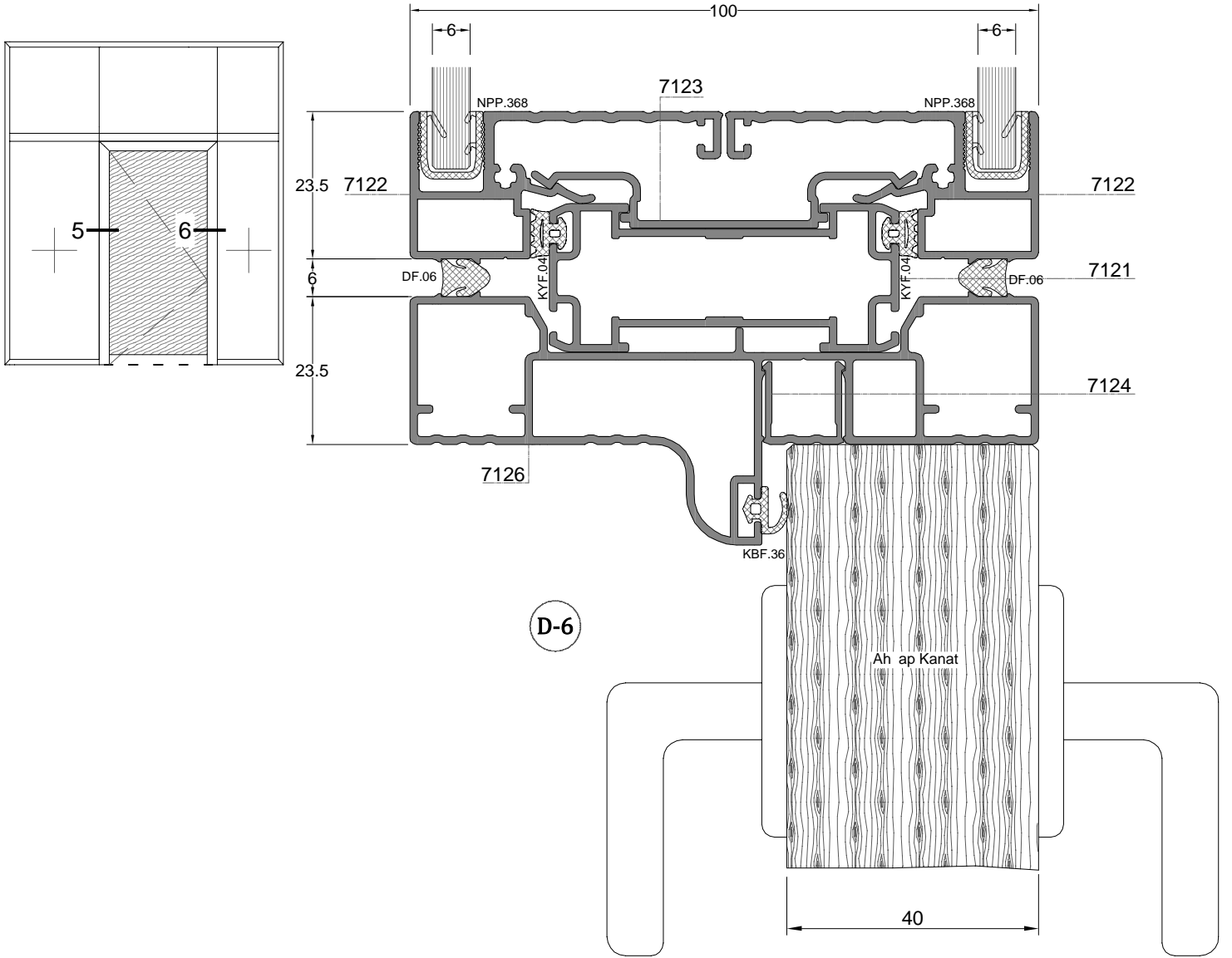


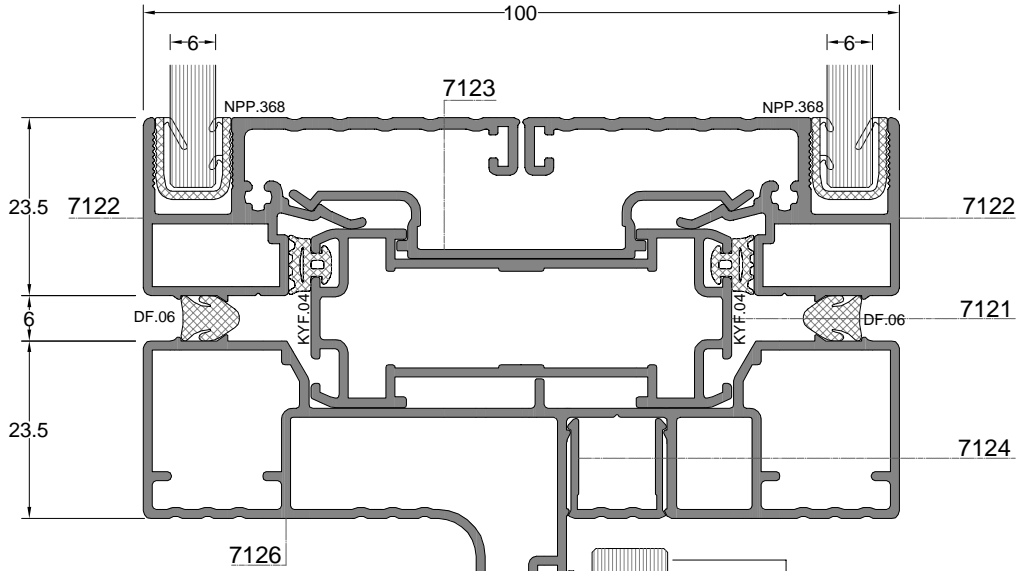
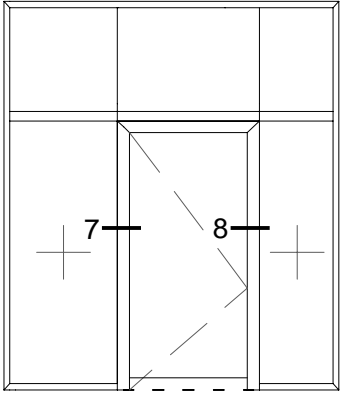
D-20











D-8

HK.180

10

KBF.36

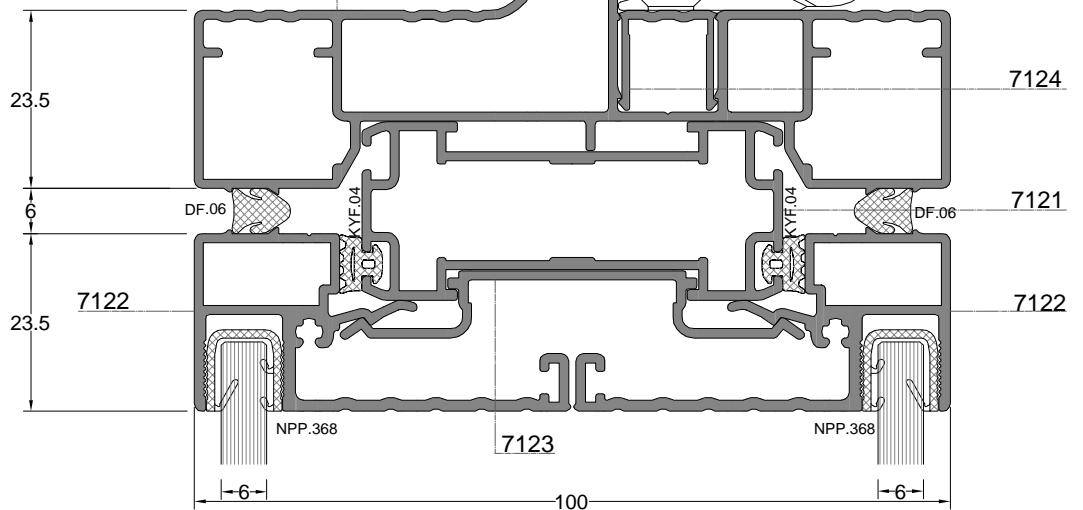
KM.160

7126

7124

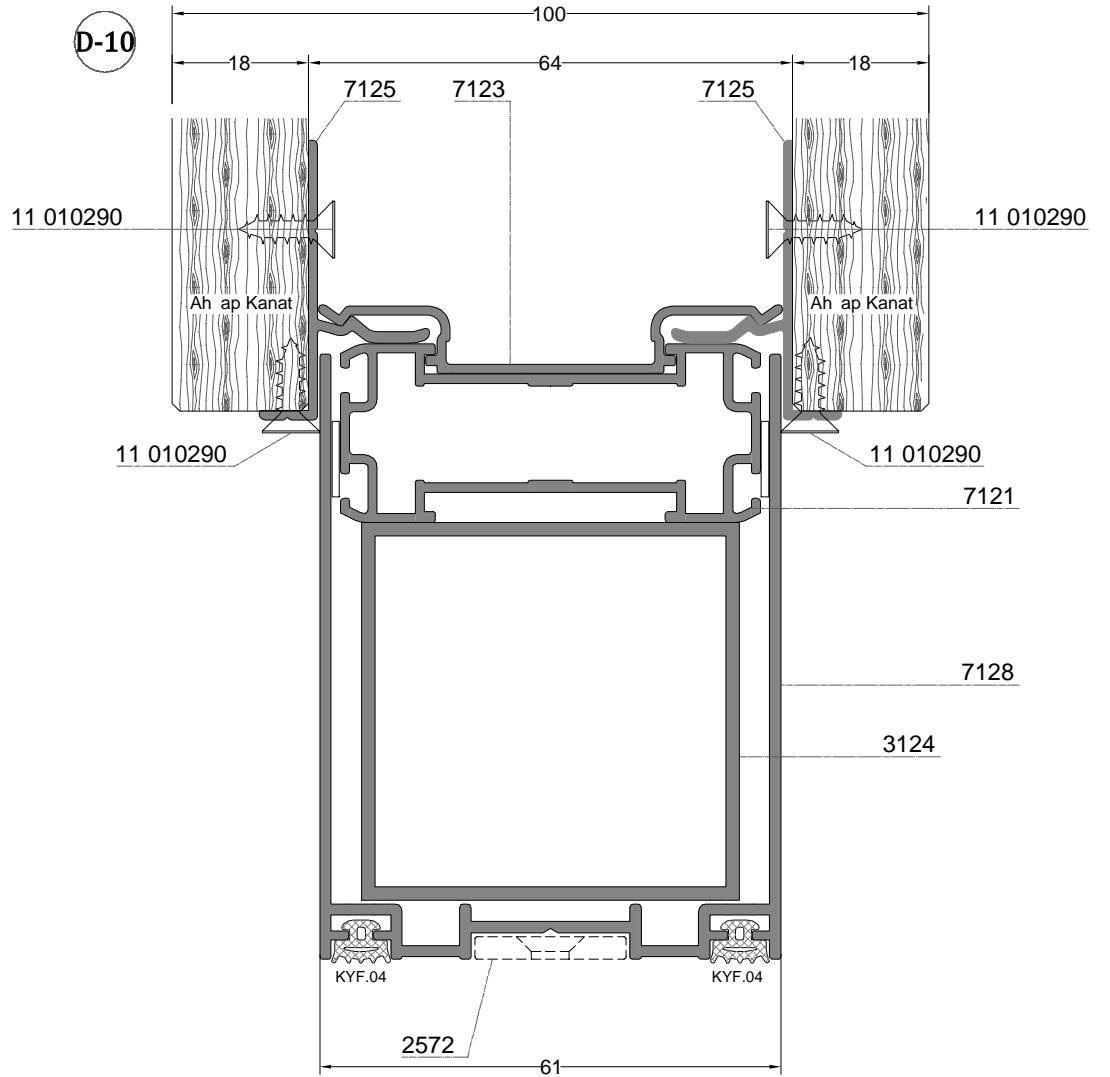
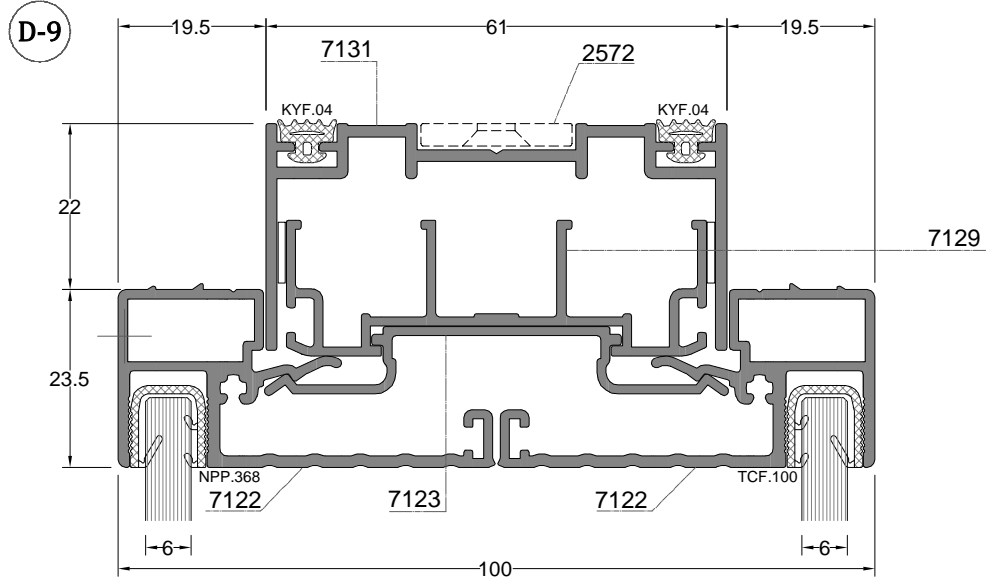
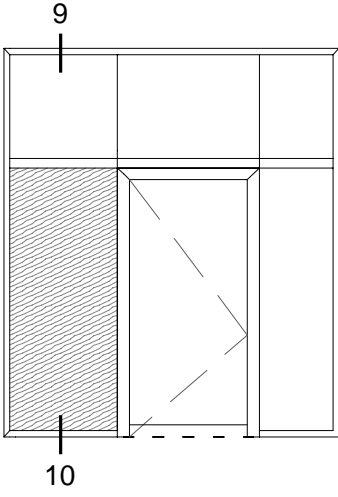
7121

7122

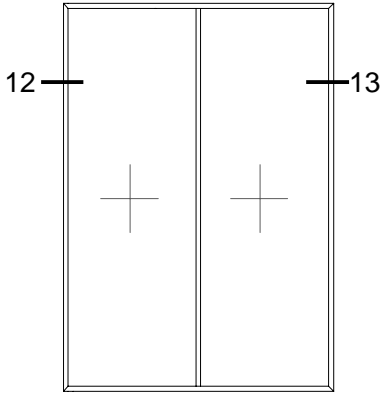


D-7

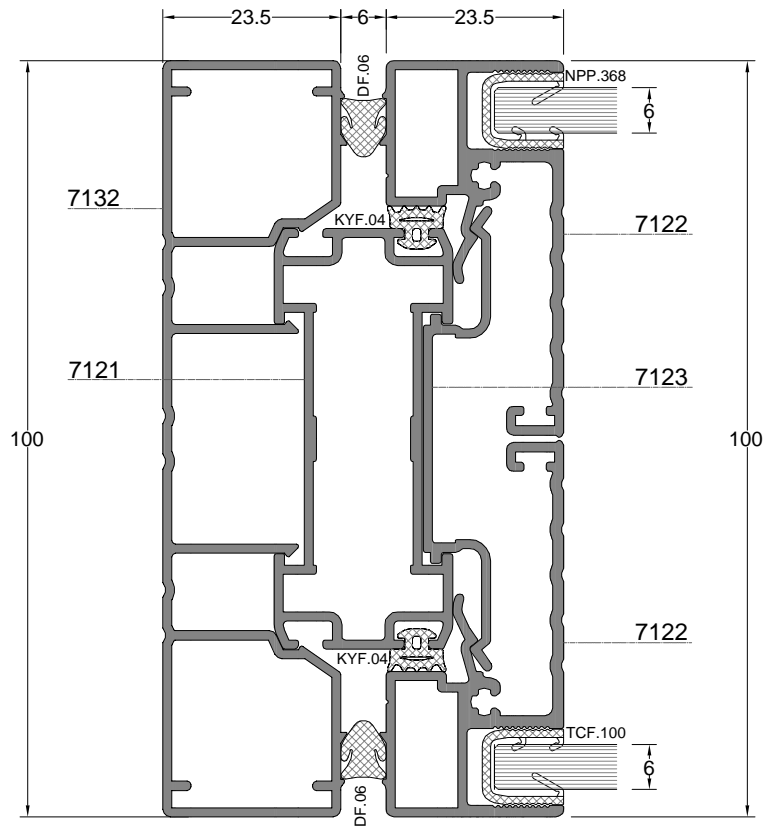








D-12



D-13

